

Centry® Cover Design Guide & Catalog

Selecting the right Centry® Cover is really a simple matter. First, determine the correct size, then ascertain the corresponding part number by looking up your measurements on the enclosed size charts. (For your convenience, all measurements appear both in metric and imperial equivalents.) Finally, fill out the brief questionnaire on the back page dealing with environmental and operational factors surrounding your Centry® Cover. This will tell us what metal or material to recommend. When completed, this form will enable us to provide you with exact specifications and an immediate quote on the Centry® Cover you require. Of course, our design personnel will gladly walk you through this design guide, or answer any question you may have. Simply call us toll-free at 1-800-257-9537.



STEP#1: Determine your size requirements

Cover

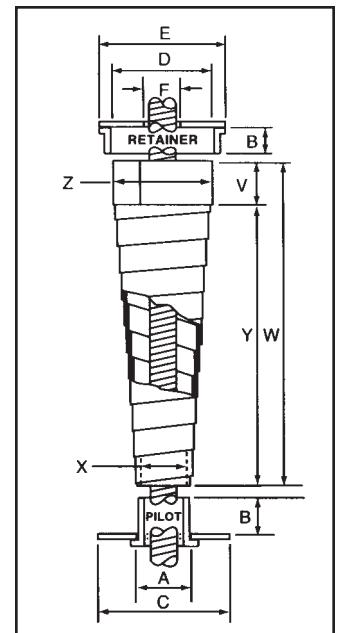
- if Pilot & Retainer is not used
X=shaft Ø + 4mm min. O +.125*
- X Inside Diameter = shaft Ø + 8mm or shaft Ø + .250"
 - W Extended Length = max. exposed length of shaft
 - V Compressed Length = min. exposed length of shaft
 - Y Stroke = W-V
 - Z Outside Diameter = max. allowable area

Tolerances: "X" ± 1mm, "Z" ± 2mm or
"X" + .094, -.000, "Z" + .000, -.125

Pilot & Retainers (required for use over non-vertical shafts)

- A = X - 4mm - .125"
- B = V x .75 x .75
- C = Z
- D = Z + 5mm + .125"
- E = Z + 12mm + .375"
- F = X - 5mm - .188"

mm
 inches



Centryco®

Centryco® Centry® Covers Metric Sizes

Metric Part Number System

CC XXX • XXXX • XXX X X X

- X = Inside Diameter
- W = Extended Length
- V = Compressed Length

MATERIALS
 A = 1095 Scaleless Blue
 D = 301 Stainless
(Other materials available upon request.)

TRAVEL
 A = Horizontal/Vertical Large End Travels
 D = Diagonal Large End Travels
 H = Horizontal Only Large End Travels
 V = Vertical Only Large End Travels

INSTALLATION/DUTY/OD
 E = Over End OD per catalog
 W = Open Wound OD per catalog
(light & heavy duty plus various OD's avail.)

CC designates helical wound metal Centry® Cover. Consult factory for additional sizes, materials, extra or light duty or special OD requirements.

NOTE: Most covers are interchangeable in the vertical or horizontal position and designed to operate with the large end traveling. In vertical use the large end is to be at the top. In the horizontal position, the degree of sag may be minimized by restricting travel to 60% of the covers maximum length.

Consult factory for special covers i.e. small end up or traveling and connecting covers in a series.

CAUTION: installation techniques of Over End and Open Wound covers (the latter are for retrofit on assembled equipment) are distinctly different and not interchangeable.

Covers are compressed with tie bands. When cutting the ties, exercise caution as the cover is under considerable spring pressure and can be dangerous.

PART NO.	X	W	V	Z
010	0100	013	17	
013	0050	013	19	
	0100		23	
017	0350	025	28	
020	0150	020	28	
	0200		30	
	0250		33	
	0300		36	
020	0300	030	37	
	0400		45	
022	0100	020	31	
025	0100	020	35	
	0150		36	
	0200		41	
	0330		44	
025	0150	025	37	
	0250		42	
025	0400	030	43	
	0500		49	
	0650		58	
025	0500	035	49	
025	0330	050	44	
	0600		48	
	0750		52	
025	0750	075	49	
030	0050	013	42	
	0150		55	
030	0100	020	41	

PART NO.	X	W	V	Z
030	0150	030	42	
	0250		50	
	0350		51	
030	0350	050	55	
	0750		57	
030	0900	060	61	
030	1000	075	59	
032	0100	020	49	
	0150		55	
032	0350	035	50	
032	0150	060	43	
035	0150	030	46	
035	0350	035	52	
	0450		54	
035	0350	050	51	
035	0750	075	55	
	0850		58	
	0900		58	
	1000		60	
035	1500	100	68	
038	0085	020	42	
040	0100	020	54	
040	0150	030	52	
	0250		58	
	0350		58	
	0500		69	
040	0250	035	55	
040	0250	050	54	

PART NO.	X	W	V	Z
040	0300	050	56	
	0350		55	
	0400		56	
	0450		58	
	0550		65	
	0600		62	
	0750		65	
	0900		79	
	1000		86	
040	0450	060	56	
	0550		60	
	0650		64	
	0750		66	
	0900		65	
040	0650	075	63	
	0750		66	
	0900		72	
	1100		78	
	1300		82	
	1500		90	
040	1000	100	67	
	1200		70	
	1500		74	
	1800		82	
040	1800	120	82	
	2000		86	
	2200		90	
045	0200	035	55	
045	0450	050	65	
	0600		66	
045	0400	060	65	

PART NO.	X	W	V	Z
045	0600	060	68	
	0750		71	
045	0800	075	78	
	0900		68	
	1200		84	
045	1500	100	87	
	1800		93	
045	1400	120	82	
045	0850	150	68	
	1000		69	
	1250		84	
	1800		81	
	2400		87	
	2800		103	
050	0150	025	65	
	0250		68	
050	0250	050	62	
	0300		71	
	0350		71	
	0450		70	
	0550		74	
050	0400	060	64	
	0600		72	
	0750		78	
050	0330	075	58	
	0750		78	
	0900		84	
	1100		87	
	1200		88	
050	1000	100	78	

PART NO.	X	W	V	Z
050	1200	100	82	
	1350		84	
	1500		87	
	1800		97	
050	1700	120	92	
	1900		100	
	2100		103	
	2100		103	
	2300		104	
	2500		109	
	2800		116	
050	2800	150	118	
	3000		123	
	3600		132	
050	1100	200	79	
	2700		100	
	3250		128	
	3500		134	
055	0150	030	68	
	0250		75	
055	0150	035	71	
	0250		77	
	0400		77	
055	0350	050	70	
	0450		90	
	0550		76	
055	0550	060	76	
	0650		79	
	0750		84	
055	0750	075	83	
	0900		90	
	1100		94	
055	0900	100	84	
	1100		86	
	1200		89	
	1300		90	
	1500		96	
	1800		104	
055	1150	120	81	

PART NO.	X	W	V	Z
055	1200	120	86	
	1500		91	
	1700		96	
	1800		98	
	1900		100	
	2000		103	
	2100		100	
	2300		112	
	2500		113	
	2800		120	
	3000		125	
055	2600	150	111	
	2800		116	
	3000		121	
	3500		126	
055	2500	200	119	
	3250		128	
	3500		135	
	3600		119	
057	0150	035	71	
	0250		84	
057	0350	050	84	
	0450		90	
057	0600	060	93	
	0750		96	
057	0900	075	90	
057	1200	100	89	
	1500		97	
	1800		104	
060	0100	020	81	
060	0150	030	75	
	0250		82	
060	0250	050	76	
	0350		80	
	0500		82	
	0750		106	
060	0550	060	82	
	0700		86	

Parts shown in blue are stock items available for shipment within 48 hours.

Centryco® Centry Covers Metric Sizes

PART NO.				PART NO.				PART NO.				PART NO.				PART NO.				PART NO.								
X	W	V	Z	X	W	V	Z	X	W	V	Z	X	W	V	Z	X	W	V	Z	X	W	V	Z	X	W	V	Z	
060	0800	060	89	065	3000	200	131	075	2000	150	136	090	0900	100	119	110	0450	060	139	125	0900	100	166					
	0900		100		3300		138		2400		142		1000		123						1200		171					
060	0750	075	90		3500		148		2800		150		1100		126	110	0350	075	132	125	0700	120	155					
	0900		95	070	0275	025	93		3050		147		1200		125		0450		137		0900		163					
	1100		102		0300		94	075	3250	200	148		1300		132		0600		144		125	0700	150	163				
060	1000	100	89	070	0150	030	85		3500		156		1800		162	110	0600	100	130		1400		179					
	1100		92		0250		90	080	0050	030	90		2000		174		0750		135		2100		185					
	1200		96	070	0150	030	85	080	0150		101	090	1300	120	125		0900		140		2200		192					
	1300		100		0250		90	080	0200		115		1500		130	110	1100	120	140		2300		200	185				
	1400		102	070	0250	050	88	080	0250	050	97		1800		138		1300		151		2400		210	185				
	1500		104		0350		91	080	0350		105		2000		144	110	1500	150	152		2600		225	163				
	1800		106		0450		94	080	0450		112		2300		154		1800		157		2800		240	198				
060	1700	120	103	070	0550	060	95	080	0450	060	102	090	1000	150	122	110	1500	150	152		2900		255	198				
	1900		108		0650		97	080	0550		105		1300		119		2000		160		3000		270	163				
	2100		113		0750		105	080	0550	075	99		1500		131	110	1200	200	146		3100		285	163				
	2300		117	070	0750	075	98	080	0550		106		1800		135		2000		144		3200		295	168				
	2500		121		0900		106	080	0650		110		2000		135		2400		158		3300		305	168				
	2800		126		1100		115	080	0650		110		2300		144		2600		167		3400		315	173				
060	1200	150	93	070	0700	100	94	080	0550	075	99	090	2400	200	141	115	0150	050	131		2800		171		3500		330	182
	2200		109		0800		98	080	0650		105		2700		144		0600		150		3000		185		3600		340	192
	2600		116		0900		100	080	0750		108		3000		169		0900		157		3200		195		3700		350	192
	2800		121		1000		103	080	0900	100	112		3250		166		1100		165		3300		200	192				
	3000		126		1100		106	080	1000		125		3500		169		1300		165		3400		205	192				
	3500		138		1300		114	080	1300	120	116		3500		169		1370		179		3500		210	192				
060	3250	200	130		1500		118	080	1500		128	090	2700	250	160		1800		195		3600		215	192				
	3500		137	070	1500	120	115	080	2000		134		3000		144	115	1500	120	157		3700		220	192				
	3750		144		1800		123	080	2000	100	112		3250		166		1800		195		3800		225	192				
065	0150	030	81		2000		128	080	2000	150	140	090	2200	150	156		2400		176		3900		230	192				
	0250		85		2200		135	080	2400		146		2400		156		2600		176		4000		235	192				
065	0150	035	84		2200		135	080	2400		146	090	2400	200	125		2800		195		4100		240	192				
	0250		87		2400		145	080	2800		154		2700		144		3000		195		4200		245	192				
	0500		112		2400		145	080	3000	100	112	090	2700	250	160		3200		195		4300		250	192				
065	0250	050	80		2800		155	080	3000	150	140		3000		160		3300		195		4400		255	192				
	0350		85		3000		161	080	3250		160	100	0150	050	111		3400		195		4500		260	192				
	0450		90	070	3250	200	144	080	3500		163		0400		136		3500		195		4600		265	192				
065	0550	060	91		3500		155	080	3500	200	154	100	0400		136		3600		195		4700		270	192				
	0600		95	070	0150	035	100	080	3250		160	100	0250	075	125		3700		195		4800		275	192				
	0650		94		0250		109	080	3500		163		0350		128		3800		195		4900		280	192				
	0750		97	075	0250	050	89	085	0350	050	112		0450		131		3900		195		5000		285	192				
	0900		109		0350		108	085	0530	060	131		0600	100	131		4000		195		5100		290	192				
065	0760	075	100		0450		114	085	0750	100	107	100	0600	100	131		4100		195		5200		295	192				
	0900		109	075	0250	050	89	085	1050		125		0925		135		4200		195		5300		300	192				
	1100		100		0350		108	085	1050	100	107	100	1000		135		4300		195		5400		305	192				
065	1100	100	95		0450		114	085	1050	100	107		1100	120	132		4400		195		5500		310	192				
	1200		100	075	0550	060	103	085	1050	100	107		1300		136		4500		195		5600		315	192				
	1300		103		0650		105	089	0250	050	112		1675		157		4600		195		5700		320	192				
	1500		109		0700		107	090	0070	020	112		1800		163		4700		195		5800		325	192				
	1800		119		0750		110	090	0150	025	112		2400		163		4800		195		5900		330	192				
065	1700	120	105	075	0600	075	106	090	0150	025	112		2400		163		4900		195		6000		335	192				
	1900		111		0750		109	090	0200	035	115		2400		163		5000		195		6100		340	192				
	2100		116		0800		112	090	0200	035	115		2400		163		5100		195		6200		345	192				
	2300		120		0900		112	090	0150	050	112		2400		163		5200		195		6300		350	192				
	2500		124	075	0900	100	109	090	0250		109		2400		163		5300		195		6400		355	192				
	2800		128		1100		108	090	0250		109		2400		163		5400		195		6500		360	192				
065	2000	150	116		1200		125	090	0350	060	115		2400		163		5500		195		6600		365	192				
	2400		120		1300		114	090	0450		120		2400		163		5600		195		6700		370	192				
	2800		136	075	1500	120	115	090	0450	075	119		2400		163		5700		195		6800		375	192				
	3000		142		1700		126		0550		120		2400		163		5800		195		6900		380	192				
	3500		152		1800		119	090	0650		125		2400		163		5900		195		7000		385	192				
					2000		128		0750		130		2400		163		6000		195		7100		390	192				
					2200		133	090	0600	100	122		2400		163		6100		195		7200		395	192				
									0750		117		2400		163		6200		195		7300		400	192				

Parts shown in blue are stock items available for shipment within 48 hours.

Centryco® Centry® Covers Imperial & Metric Sizes

Cat. No.	"X" ID	"W" Extend	"V" Comp.	"Z" OD	Metric Part Number*
052	0.50	2.0	0.50	0.81	013-0050-013
054	0.50	4.0	0.50	1.00	013-0100-013
0756	0.75	6.0	0.75	1.19	020-0150-020
0758	0.75	8.0	0.75	1.25	020-0200-020
07510	0.75	10.0	0.75	1.38	020-0250-020
14	1.00	4.0	0.75	1.44	025-0100-020
16	1.00	6.0	0.75	1.50	025-0150-020
18	1.00	8.0	0.75	1.69	025-0200-020
110	1.00	10.0	1.00	1.75	025-0250-025
156	1.13	6.0	1.13	1.75	030-0150-030
1510	1.13	10.0	1.13	2.06	030-0250-030
1514	1.25	14.0	1.38	2.06	032-0350-035
26	1.50	6.0	1.13	2.13	040-0150-030
210	1.50	10.0	1.38	2.25	040-0250-035
214	1.50	14.0	2.00	2.25	040-0350-050
218	1.50	18.0	2.00	2.38	040-0450-050
224	1.50	24.0	2.00	2.50	040-0600-050
230	1.50	30.0	2.00	2.63	040-0750-050
256	2.25	6.0	1.38	2.88	057-0150-035
2510	2.13	10.0	1.38	3.13	055-0250-035
2514	2.00	14.0	2.00	2.88	050-0350-050
2518	1.75	18.0	2.00	2.63	045-0450-050
2524	1.75	24.0	2.50	2.75	045-0600-060
2530	1.75	30.0	2.50	2.88	045-0750-060
2536	1.75	36.0	3.00	2.75	045-0900-075
2548	1.75	48.0	3.00	3.38	045-1200-075
2560	1.75	60.0	4.00	3.50	045-1500-100
2572	1.75	72.0	4.00	3.75	045-1800-100
36	2.50	6.0	1.38	3.38	065-0150-035
310	2.25	10.0	1.38	3.38	057-0250-035
314	2.25	14.0	2.00	3.38	057-0350-050
318	2.25	18.0	2.00	3.63	057-0450-050
324	2.25	24.0	2.50	3.75	057-0600-060
330	2.25	30.0	2.50	3.88	057-0750-060
336	2.25	36.0	3.00	3.63	057-0900-075
348	2.25	48.0	4.00	3.56	057-1200-100
360	2.25	60.0	4.00	3.88	057-1500-100
372	2.25	72.0	4.00	4.19	057-1800-100

Cat. No.	"X" ID	"W" Extend	"V" Comp.	"Z" OD	Metric Part Number*
356	3.00	6.0	1.38	4.00	075-0150-035
3510	3.00	10.0	1.38	4.38	075-0250-035
3514	3.00	14.0	2.00	4.31	075-0350-050
3518	3.00	18.0	2.00	4.56	075-0450-050
3524	2.50	24.0	2.50	3.81	065-0600-060
3530	2.50	30.0	3.00	4.00	065-0760-075
3536	2.50	36.0	3.00	4.38	065-0900-075
3548	2.50	48.0	4.00	4.00	065-1200-100
3560	2.50	60.0	4.00	4.38	065-1500-100
3572	2.50	72.0	4.00	4.75	065-1800-100
410	3.50	10.0	2.00	4.50	089-0250-050
414	3.25	14.0	2.00	4.50	085-0350-050
424	3.00	24.0	3.00	4.25	075-0600-075
430	3.00	30.0	3.00	4.38	075-0760-075
436	3.00	36.0	4.00	4.38	075-0900-100
448	3.00	48.0	4.00	5.00	075-1200-100
460	3.00	60.0	4.00	5.13	075-1500-100
4510	3.50	10.0	2.00	4.38	090-0250-050
4518	3.50	18.0	3.00	4.75	090-0450-075
4524	3.50	24.0	4.00	4.88	090-0600-100
4536	3.50	36.0	4.00	4.75	090-0900-100
56	4.50	6.0	2.00	5.25	115-0150-050
510	4.00	10.0	3.00	5.00	100-0250-075
514	4.00	14.0	3.00	5.13	100-0350-075
518	4.00	18.0	3.00	5.25	100-0450-075
524	4.00	24.0	4.00	5.25	100-0600-100
536	4.00	36.0	4.00	5.38	100-0900-100
5510	5.00	10.0	2.50	5.75	125-0250-060
5514	5.00	14.0	3.00	5.88	125-0350-075
5518	4.50	18.0	4.00	5.75	115-0450-100
5524	4.50	24.0	4.00	6.00	115-0600-100
5536	4.50	36.0	4.00	6.25	115-0900-100
66	5.50	6.0	3.00	6.25	140-0150-075
610	5.50	10.0	3.00	6.50	140-0250-075
614	5.00	14.0	3.00	6.19	125-0350-075
618	5.00	18.0	4.00	6.19	125-0450-100
624	5.00	24.0	4.00	6.50	125-0600-100

*Metric Part Numbers have a CC prefix and an AAE suffix. Example: CC-013-0050-013-AAE

The part numbers shown above are available for shipment within 48 hours. We also offer an additional 2,000 various sizes, usually available for shipment within two weeks. For more information call 1-800-257-9537, or complete the following information and FAX your inquiry to 1-609-386-6739.

STEP#2: Describe Your Application

Position of Centry® Cover			
Horizontal	<input type="checkbox"/>	Vertical	<input type="checkbox"/>
Angular	<input type="checkbox"/>	Variable	<input type="checkbox"/>
Operating Conditions for Centry® Cover			
Indoor	<input type="checkbox"/>	Magnetic Field	<input type="checkbox"/>
Outdoor	<input type="checkbox"/>	Oven/Furnace	<input type="checkbox"/>
Wet	<input type="checkbox"/>	Corrosive	<input type="checkbox"/>
Dry	<input type="checkbox"/>	Abrasive	<input type="checkbox"/>
Contamination by			
Oxides/Sand	<input type="checkbox"/>	Coolant	<input type="checkbox"/>
Dust	<input type="checkbox"/>	Ash/Welding Sparks	<input type="checkbox"/>
Oil	<input type="checkbox"/>	Salt Water	<input type="checkbox"/>
Chips and Swarf	<input type="checkbox"/>	Any other	<input type="checkbox"/>

Working Temperatures	Max.	Min.
Details		
Speed of Stroke		
Frequency of Operation		
Cycles per min.		
Cycles per day		
Pressure Internal		
Pressure External		
Any other Condition		
Total Quantity		Batch Qty.
Company		
Name		
Phone		FAX #

