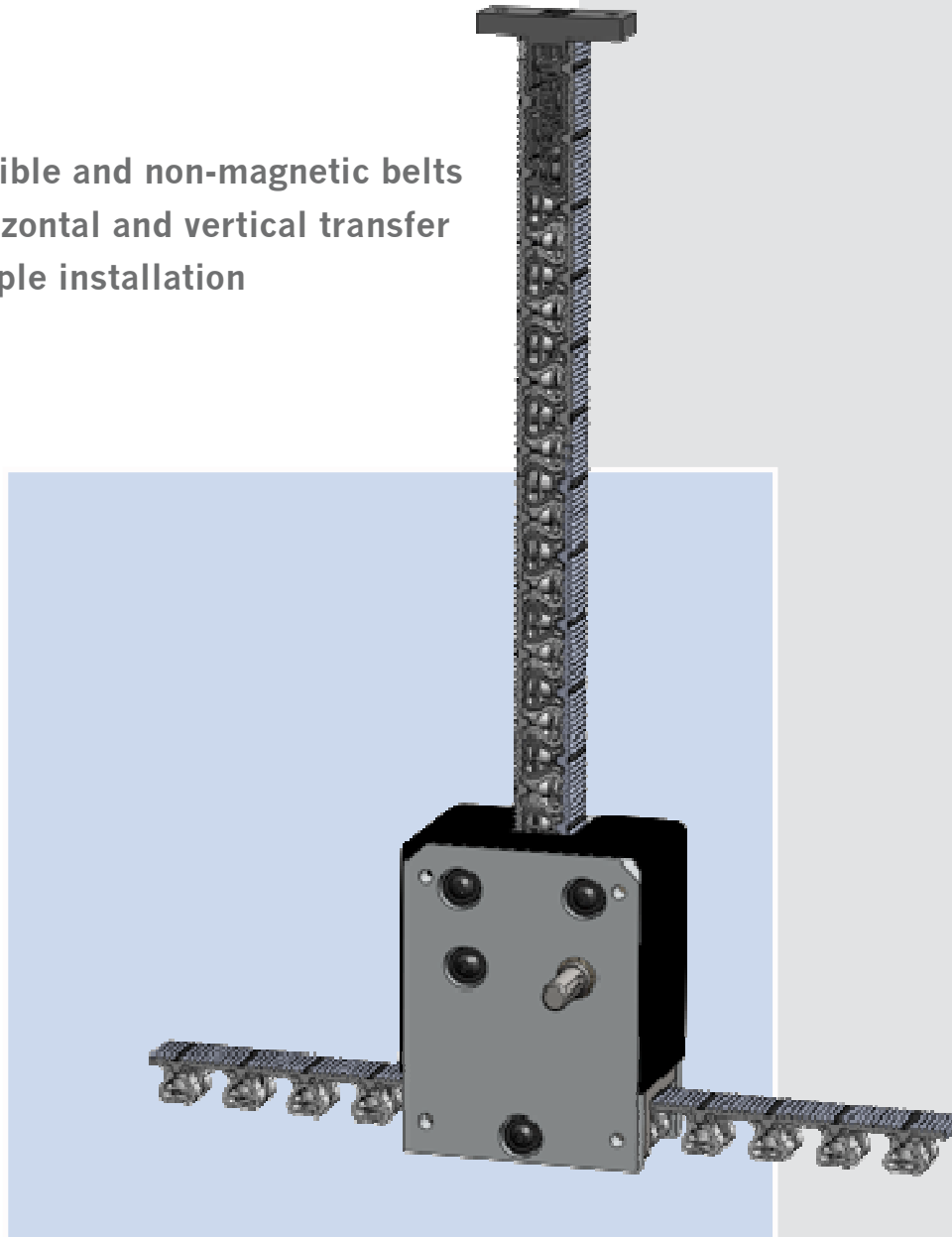


RigiBelt linear telescopic actuator

- Flexible and non-magnetic belts
- Horizontal and vertical transfer
- Simple installation



SERAPID
PUSHING AHEAD

www.motiontech.com.au

SERAPID, the leader in mechanical lifts and telescopic actuators based on its Rigid Chain Technology, introduces a non-magnetic actuator. The RigiBelt has two belts, which come together like a zipper to form a rigid column.

The belts of the RigiBelt are made of reinforced plastic and therefore are entirely non-magnetic. It moves smoothly while telescoping in and out of its drive.

The belts of the RigiBelt are adaptable and flexible. They can be integrated into any environment.

From medical to pharmaceutical environments, from furniture to construction, logistic or aeronautics, the RigiBelt is a flexible product adaptable to any environment.

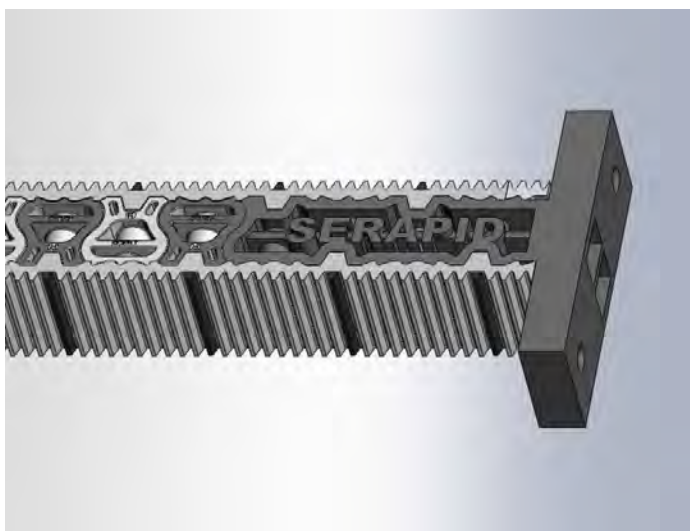
Technical characteristics of the belts:

- ▶ Entirely non-magnetic
- ▶ Light weighted
- ▶ Strong and flexible
- ▶ Stroke: from 100 mm to many meters with or without guide
- ▶ Horizontal and vertical transfer
- ▶ Max. static load : 500 kg*
- ▶ Elongation**: 3 mm / 100 kg
- ▶ Compression**: 1 mm / 100 kg
- ▶ Weight of a belt: 700g/m
- ▶ Section of a belt: 25 mm x 28 mm

Note:

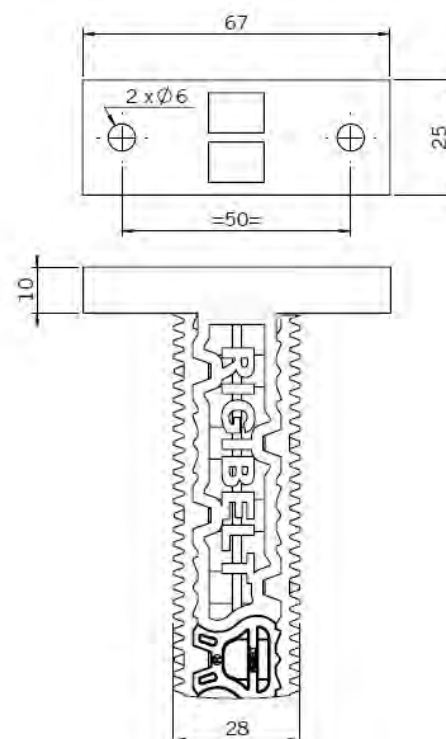
*Maximum value without safety coefficient for R&D application.

**at max. load. This information is based on static testing performed by an independent laboratory. Dynamic capacity and life cycle depend on the drive design.



All of SERAPID's linear telescopic actuators are entirely mechanical, which make them environmentally friendly and suitable for clean-room conditions. Each system has suitable configuration and can be customized as needed.

The RigiBelt has non-corrosive properties, and is compact and adaptable. It is able to fit into any product or machine.

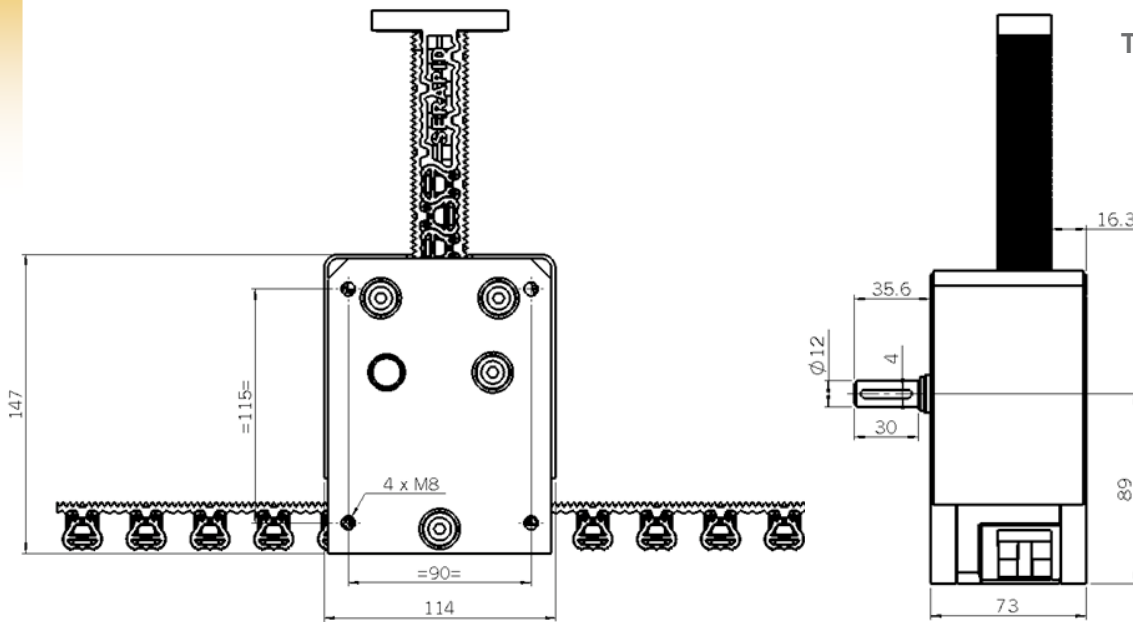


Interfaces

SERAPID designed a plastic front link attachment between your application and the extremity of the belts. This standard interface is also non-magnetic and very resistant.

Dimensions of the plastic link:
67 x 25 x 10 (in mm) - See drawing above.

Other push-pull interfaces can be designed according to your applications and your needs (upon request only).

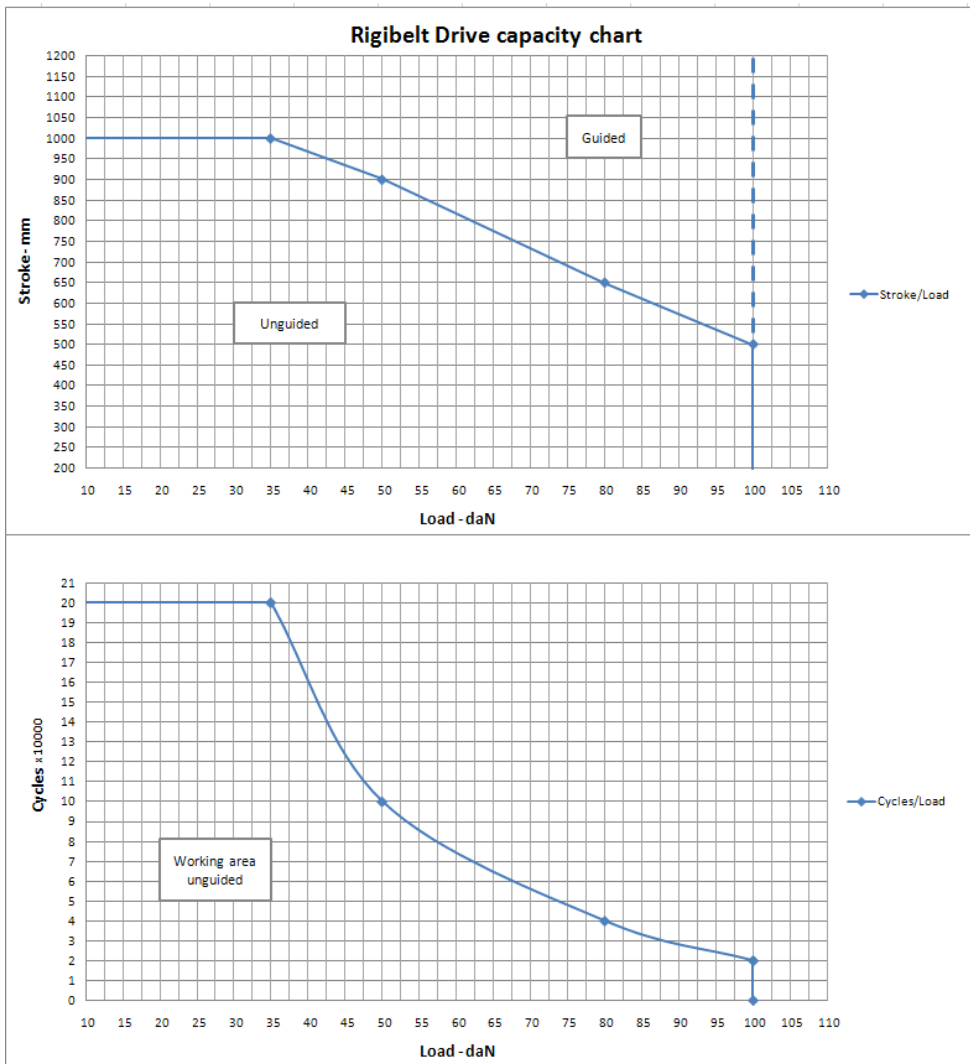


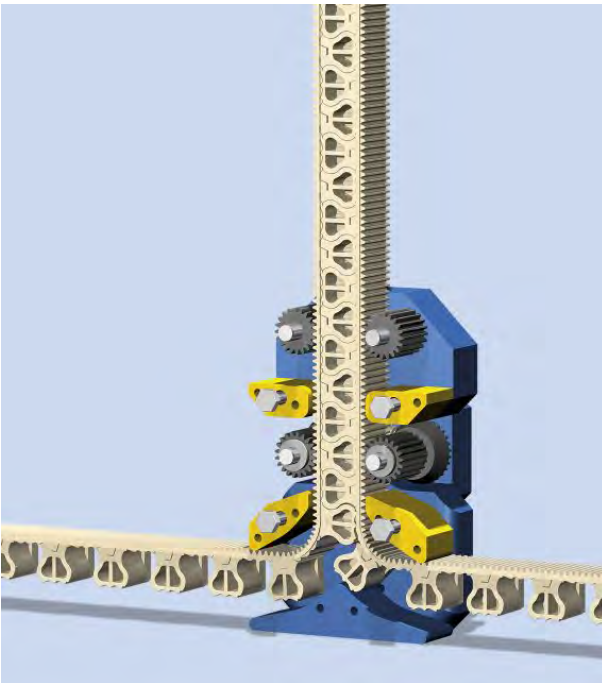
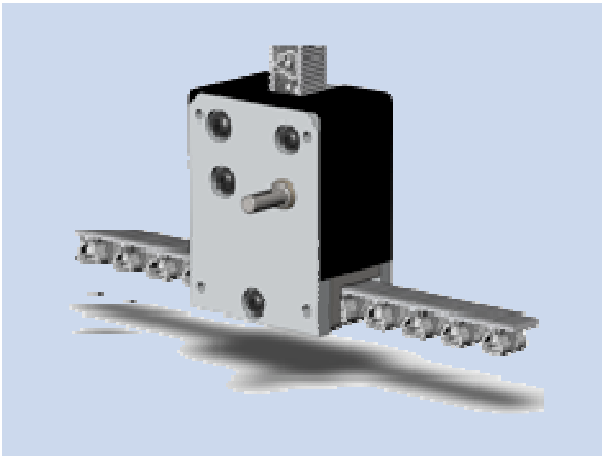
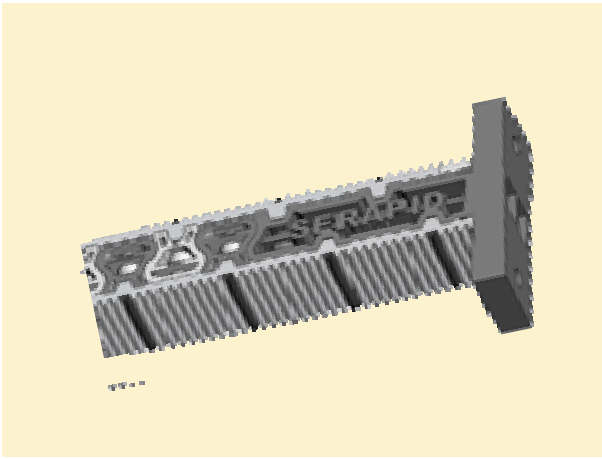
The RigiBelt Drive is compact, handy and very simple to integrate.

The RigiBelt Drive is also entirely non-magnetic. Using materials such as aluminum, POM and stainless material, the RigiBelt system can be integrated in many environments (ex: medical, food, white rooms...). The drive can be operated by any kind of motor (AC or DC) according to customers specifications.

Technical characteristics of the RigiBelt Drive:

- ▶ Capacity: 10 N to 1000 N (see graph below)
- ▶ Push/Pull system
- ▶ Speed: 20 to 300 mm/s
- ▶ No maintenance





Features

- ▶ telescopic, compact and simple to integrate
- ▶ entirely non-magnetic
- ▶ made of reinforced plastic and stainless steel
- ▶ driven with an electric motor
- ▶ load capacities from 10 N (2 lbf) to 5000 N (1100 lbf)
- ▶ stroke length up to 2000 mm (6 ft) unguided



Distributors for Australia & New Zealand

MOTION TECHNOLOGIES PTY LTD

24/22-30 Northumberland Road
Caringbah NSW 2229 Australia
Phone: (02) 9524 4782
Fax: (02) 9525 3878

sales@motintech.com.au
www.motiontech.com.au