



MOTION TECHNOLOGIES PTY LTD

Electrak Non-driven Actuator

Load up to 6800 N



Standard Features and Benefits

- Actuator with a flange where a customer supplied motor can be mounted
- Rugged and robust
- Withstands very harsh environments
- Stainless steel extension tube
- Corrosion free aluminium cover tube
- Acme or ball screw drive
- Trunnion mounting possible
- Overload clutch for mid and end of stroke protection
- T-slot grooves in the cover tube for magnetic sensors
- Maintenance free

General Specifications

Parameter	FA14
Screw type	acme or ball
Internally restrained	yes
Manual override	no, optional
Holding brake acme screw versions ball screw versions	no, self-locking yes
End of stroke protection	overload clutch
Mid stroke protection	overload clutch
Certificates	CE
Options	<ul style="list-style-type: none"> • manual override • alternative adaptor positions • custom color*

* Contact customer support

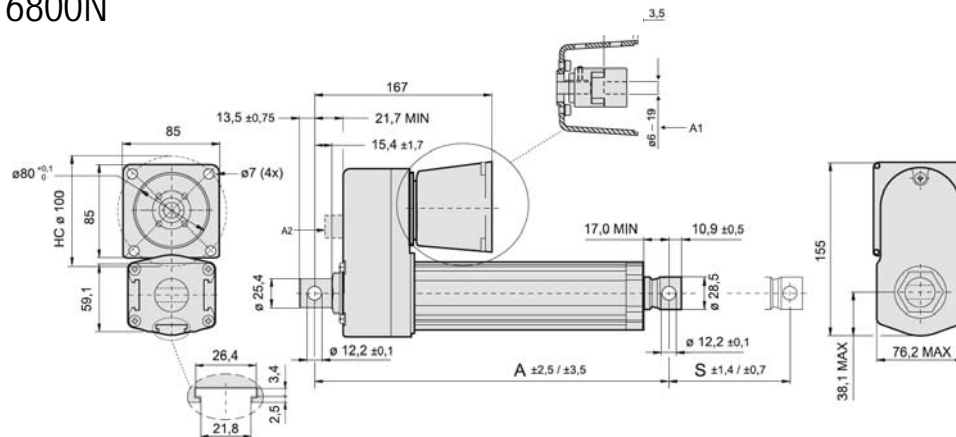
Performance Specifications

Parameter	FA14
Maximum load, dynamic / static [N]	
FA14-05A65 (acme screw)	1100 / 11350
FA14-10A65 (acme screw)	2250 / 11350
FA14-20A65 (acme screw)	2250 / 11350
FA14-05B65 (ball screw)	2250 / 18000
FA14-10B65 (ball screw)	4500 / 18000
FA14-20B65 (ball screw)	4500 / 18000
FA14-21B65 (ball screw)	6800 / 18000
Maximum speed at max. load* [mm/s]	
FA14-05A65 (acme screw)	32
FA14-10A65 (acme screw)	18
FA14-20A65 (acme screw)	12
FA14-05B65 (ball screw)	37
FA14-10B65 (ball screw)	19
FA14-20B65 (ball screw)	12
FA14-21B65 (ball screw)	11
Maximum input torque [Nm]	1,8
Maximum input speed [rpm]	3000
Standard stroke lengths [mm]	50, 100, 150, 200, 250, 300, 350, 400, 450, 500, 550, 600
Operating temperature limits [°C]	-25 – +65
End play, maximum [mm]	1,0
Restraining torque [Nm]	0

* Recommended maximum speed

FA14 Non-drives Actuator

Load up to 6800N



S: stroke, tolerance acme / ball screw

A2: manual override input (optional)

A: retracted length, tolerance acme / ball screw

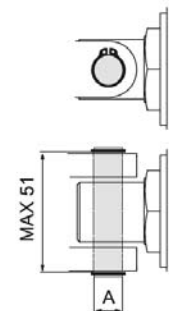
A1: minimum/maximum input shaft bore in the coupling (supplied with a 6 mm hole)

Stroke (S)	[mm]	50	100	150	200	250	300	350	400	450	500	550	600
Retracted length (A), acme screw models	[mm]	216,7	266,7	316,7	366,7	416,7	466,7	566,7	616,7	666,7	716,7	766,7	816,7
Retracted length (A), ball screw models	[mm]	269,6	319,6	369,6	419,6	469,6	519,6	619,6	669,6	719,6	769,6	819,6	869,6
Weight, acme screw models	[kg]	3,5	3,7	4,0	4,2	4,5	4,7	5,0	5,2	5,5	5,7	6,0	6,3
Weight, ball screw models	[kg]	4,2	4,5	4,7	5,0	5,2	5,5	5,7	6,0	6,2	6,5	6,7	7,0

Accessories & Spare Parts

Mounting Components

The mounting pins are used in the rear and front adapter holes of the actuator. The pins have a groove in each end so that it can be secured with snap rings.



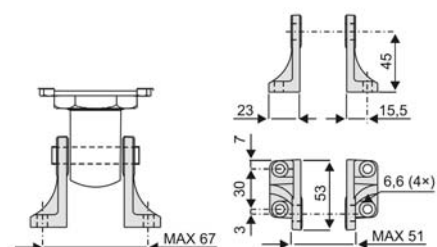
Mounting Pin Kits

Designation	Compatible Actuators	A [mm]	Part Number
Mounting pins (pair)	Electrak 10, Electrak 5	12,7	D603 028
Mounting pins (pair)	Electrak LA14, LA24, FA14	12	D603 023

Mounting Pin Bracket Kits

Designation	Compatible Actuators	Part Number
Mounting pin brackets (pair)	Electrak LA14, LA24, FA14	D603 029

The mounting pin brackets are used to attach the front and rear adapter via a pair of mounting pins to the objects to which it is mounted. Note! one pair of brackets is needed per adapter as there must be a bracket on each side of the adapter.

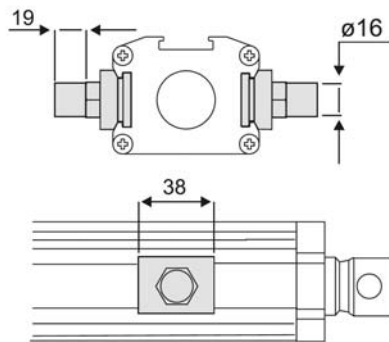


Trunnion Mounting Kits

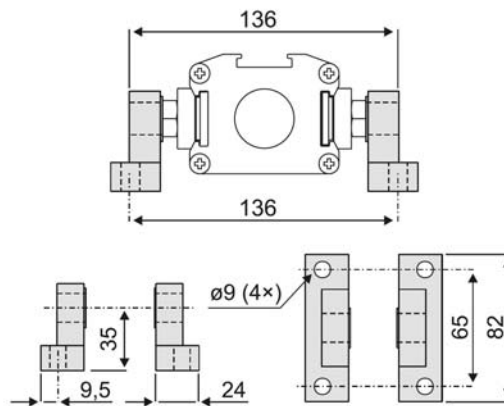
Designation	Compatible Actuators	Part Number
Trunnions (pair)	Electrak LA14, LA24, FA14	D603 022
Trunnion brackets (pair)	Electrak LA14, LA24, FA14	D603 030

The trunnions can be mounted to the T-slot running along the right and left side of the cover tube on an Electrak LA14, LA24 or FA14.

Trunnions



Trunnion Brackets



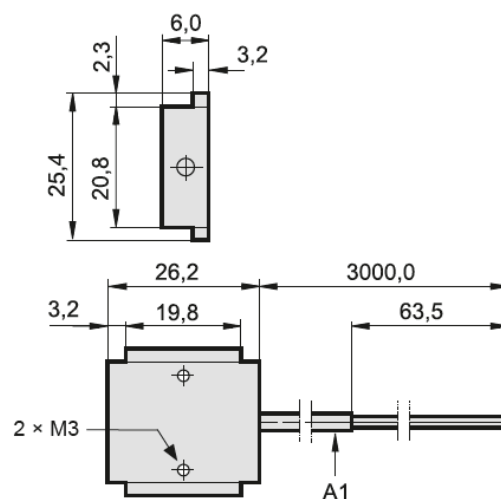
Magnetic Sensor

Designation	Compatible Actuators	Contact Type	Part Number
Magnetic sensor	Electrak LA14, LA24, FA14	normally open	D535 070
Magnetic sensor	Electrak LA14, LA24, FA14	normally closed	D535 071

Specifications

Parameter		
Maximum power	[W]	10
Maximum voltage	[Vdc]	43
Maximum current	[A]	0,5
Maximum contact resistance	[ohm]	0,2
Lead cross section	[mm ²]	2 × 0,12
Cable length	[mm]	3000
Protection class		IP67

The magnetic sensor fits in to the T-slot running along three sides of the cover tube on an Electrak LA14, LA24 or FA14. The normally closed sensors can be used with AC-063 controls that have limit switch inputs. The cable is molded into the switch.



A1: cable 2 × 0,12 mm²



Solutions by
DANAHER
MOTION

THOMSON
Linear Motion. Optimized.

KOLLMORGEN

MICRON



Direct Drive Rotary Motors

- ◆ Housed
- ◆ Cartridge style
- ◆ Frameless F series
- ◆ Hollow bore spindle
- ◆ Torque to 1300Nm

AKD Drives

- ◆ 3 to 80 amps continuous
- ◆ 240/1/50 & 415/3/50 AC mains
- ◆ All feedback types in one model
- ◆ Three times peak current
- ◆ Ethernet communication std
- ◆ Small package size



Precision planetary reducers

- ◆ 4 to 15 arc-min backlash
- ◆ In-line and right angle
- ◆ Quick delivery program
- ◆ Sizes 42 to 222 mm square frame
- ◆ Up to 5500Nm peak

AKM Series Motor

- ◆ New high efficiency design
- ◆ Simple and robust construction
- ◆ 7 frames, 40 to 188 mm square
- ◆ Multiple feedback types



- ◆ Ball or lead screw
- ◆ Inline, geared or belt driven
- ◆ Brushless Servo or Stepper motors
- ◆ IP54 or IP65
- ◆ Thrust to 25kN
- ◆ Speed to 1.3m/sec
- ◆ 6 power ranges
- ◆ Metric design



Distributors for Australia & New Zealand

MOTION TECHNOLOGIES PTY LTD

24/22-30 Northumberland Road
Caringbah NSW 2229 Australia
Phone: (02) 9524 4782
Fax: (02) 9525 3878

sales@motiontech.com.au
www.motiontech.com.au

© 21/03/19