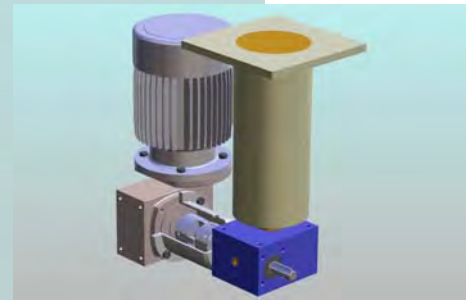
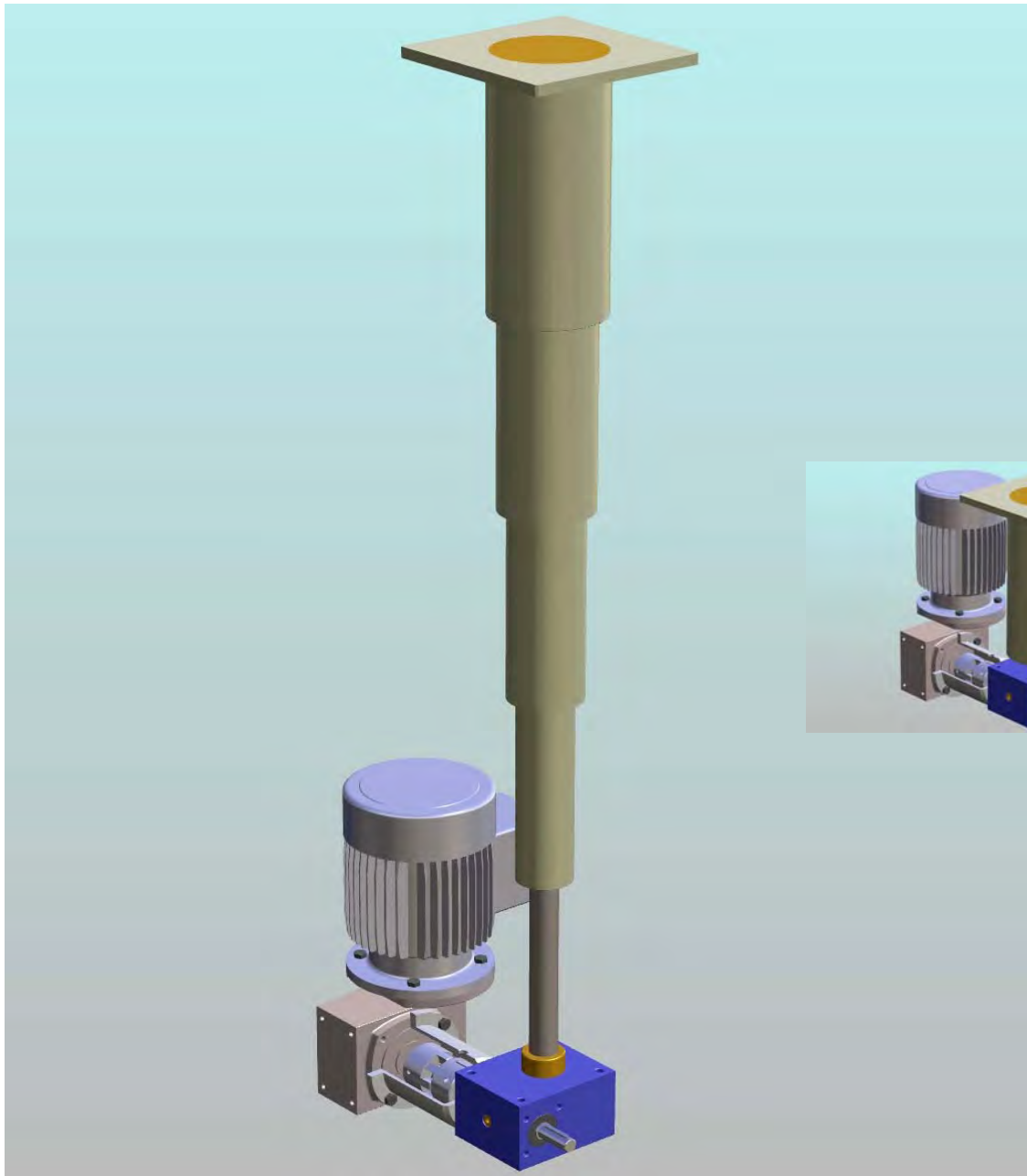


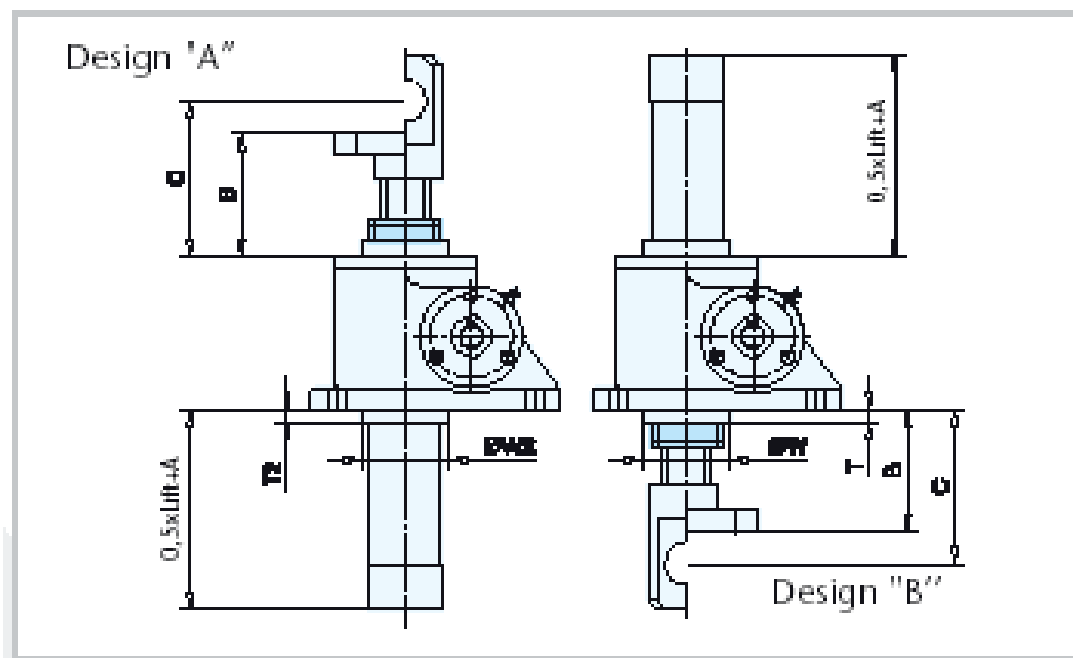


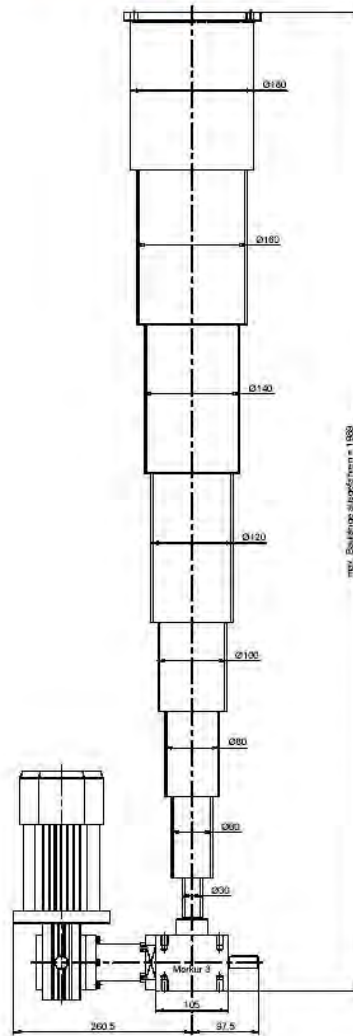
**MOTION TECHNOLOGIES
PTY LTD**

TELESCOPIC SCREW JACKS



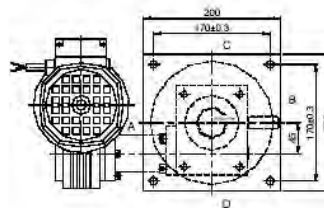
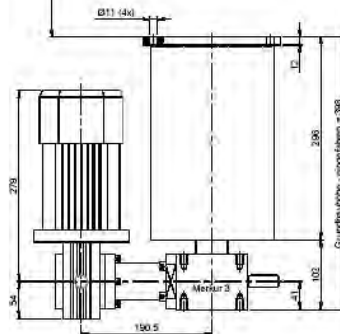
Size	Spindle	A	B	C	ØW	T	ØW1	T1
2,5/0,5		on request						
5/1	Tr20x5LH Tr40x5RH	15	63	85	-	-	110	10
10/2	Tr26x6LH Tr58x6RH	35	72	87	135	26	85	17,5
10/2,5	Tr30x6LH Tr58x6RH	35	72	87	135	26	85	17,5
20/5	Tr40x7LH Tr72x7RH	33	90	117,5	120	32	116	12
25/10	Tr55x8LH Tr90x8RH	33	90	120	130	41	-	-
50/10	Tr58x12LH Tr110x12RH	35	160	130	200	15	200	15





7 STAGE TELESCOPIC HOUSING

- Screw Jack Housing: Type 2**
Max. Thrust: 10kN
Gear Ratio Normal: 6:1
Gear Ratio Low: 24:1
Duty Cycle: Max. 20% (Std)
Max. Speed: 3m/min
Lift per turn of input worm shaft:
 6:1 = 5.3mm
 24:1 = 1.3mm



MOTION TECHNOLOGIES PTY LTD



24/22-30 Northumberland Road
 Caringbah NSW 2229 Australia
 Phone: (02) 9524 4782
 Fax: (02) 9525 3878

Unit 13/54 Smith Road
 Springvale VIC 3171 Australia
 Phone: (03) 8555 3586
 Fax: (03) 8555 3553

sales@motiontech.com.au
www.motiontech.com.au