

ARC/HRC size 55 Ball Type Linear Guide Series

ARC/HRC Product Feature

The **cpc** ARC/HRC Linear Guide Series uses the O-type arrangement for the four row ball circulation design which can absorb larger torque from Mr direction and the contact angle between the rail and balls is 45 degrees which can realize the 4 directional load effects. In addition, the runner block for the same size uses larger balls, so it will outperform competitor's models by 10% to 30% regarding load capabilities.

The runner block is designed with simple and compact accessories which provides plenty and thick space for the steel body and enhances the entire rigidity of the runner block. The product have characteristics of high load, high moment, and high stiffness.



Reinforcement plate patent design

Using 2 stainless steel reinforcement plates, the L type design can fasten the screws onto the top and bottom of the runner block, reinforcing the rigidity of the end caps and cladding.

The ARC/HRC type uses the stainless steel reinforcement plates to strengthen the bottom latches, while increasing X-axis direction force capacity, and increasing operation speed.

Dustproof design

Stainless Steel Reinforcement Plate

With clearance between rail profile for less than 0.3mm, the place can scrape large items such as iron filings to protect the end seals.

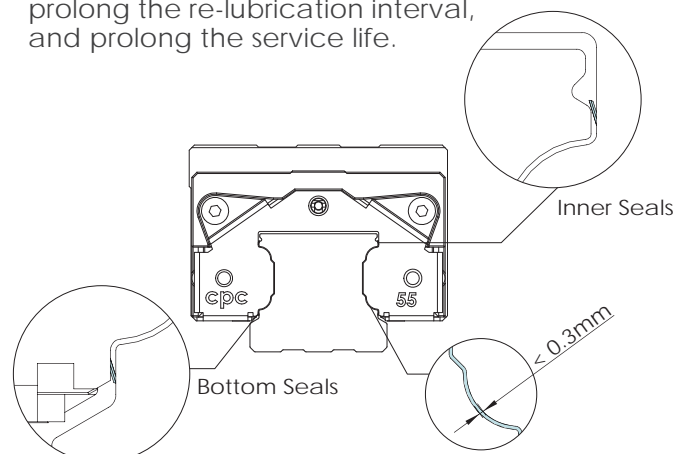
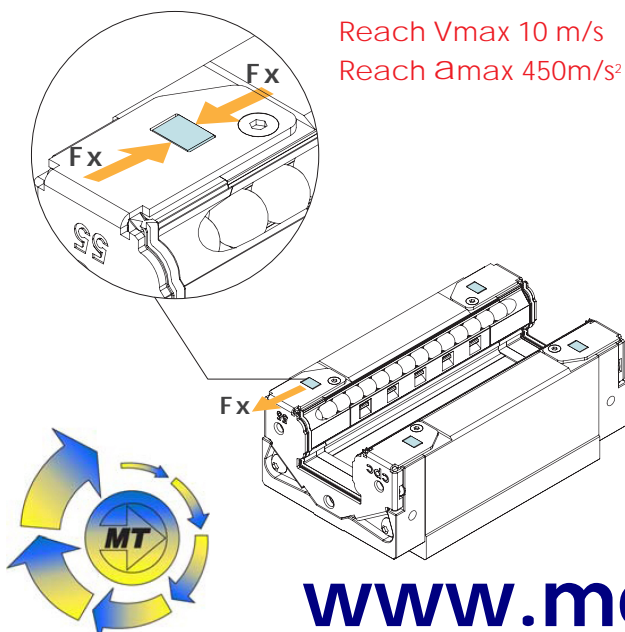
Inner Seals

The inner seals can protect foreign objects from sliding into the rails while maintaining low friction. It can also allow the lubrication oil to be maintained inside the runner block and prolong the re-lubrication interval.

Bottom Seals

The bottom seals can prevent foreign objects from entering the bottom and prevent lubrication from leaking out. With full sealing design, it reduces the amount of oil usage, prolong the re-lubrication interval, and prolong the service life.

Reach V_{max} 10 m/s
Reach a_{max} 450m/s²

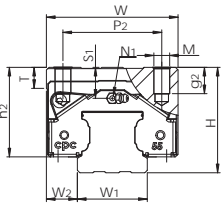


www.motiontech.com.au

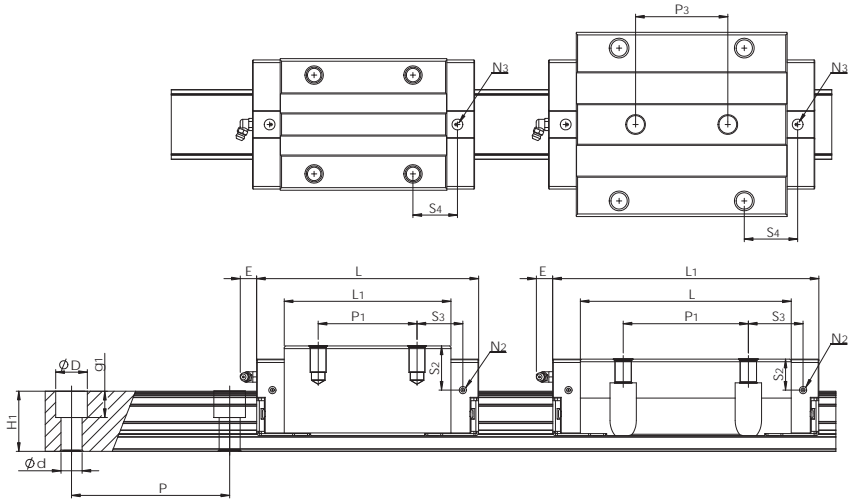
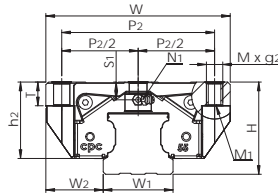
ARC/HRC size 55 Ball Type Linear Guide Series

Dimension Table

MN / ML series



FN / FL series

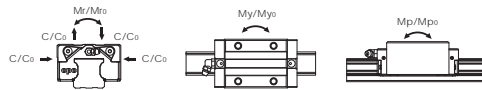


ARC Series

Model Code	Mounting Dimensions		Rail Dimensions (mm)				Block Dimensions (mm)														Load Capacities (KN)		Static Moment (Nm)			Weight					
	H	W ₂	W ₁	H ₁	P	Dx dx g ₁	W	L	L ₁	h ₂	P ₁	P ₂	P ₃	M x g ₂	M ₁	T	N ₁	N ₂	N ₃	E	S ₁	S ₂	S ₃	S ₄	C	C ₀	M _{ro}	M _{po}	M _{yo}	Block (g)	Rail (g/m)
ARC 55 MN	70	23.5	53	45.7	120	24x16x20	100	168.5	126.5	58	75	75	-	M12x20	-	16	M6x10	M6x13	P5	12	13.5	23.5	34.8	33.8	128	186	4949	3278	3278	4200	14000
ARC 55 ML	70	23.5	53	45.7	120	24x16x20	100	202	160	58	95	75	-	M12x20	-	16	M6x10	M6x13	P5	12	13.5	23.5	41.5	40.5	147	226	6472	5284	5284	5083	14000

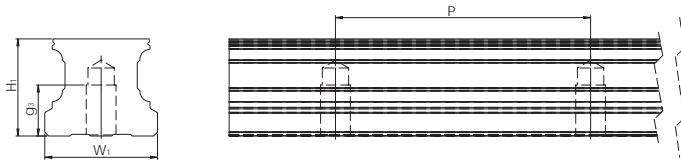
HRC Series

HRC 55 MN	80	23.5	53	45.7	120	24x16x20	100	168.5	126.5	68	75	75	-	M12x25	-	16	M6x10	M6x13	P5	12	23.5	33.5	34.8	33.8	128	186	4949	3278	3278	5110	14000
HRC 55 ML	80	23.5	53	45.7	120	24x16x20	100	202	160	68	95	75	-	M12x25	-	16	M6x10	M6x13	P5	12	23.5	33.5	41.5	40.5	147	226	6472	5284	5284	6243	14000
HRC 55 FN	70	43.5	53	45.7	120	24x16x20	140	168.5	126.5	58	95	116	70	M14x18	M12	18	M6x10	M6x13	P5	12	13.5	23.5	24.8	23.8	128	186	4949	3278	3278	5440	14000
HRC 55 FL	70	43.5	53	45.7	120	24x16x20	140	202	160	58	95	116	70	M14x18	M12	18	M6x10	M6x13	P5	12	13.5	23.5	41.5	40.5	147	226	6472	5284	5284	6963	14000



The above rating load capacities and static moment are calculated according to ISO14728 standard. The rating life for basic dynamic load rating is defined as the total 100km travel distance that 90% of a group of identical linear guides can be operated individually under the same conditions free from any material damage caused by rolling fatigue. When the standard of 50km travel distance is applied, the above basic dynamic load rating C of ISO 14728 should be multiplied by 1.26 for conversion.

ARU Series (Tapped from the bottom)



Model Code	W ₁	H ₁	P	M x g ₃	L _{max}	Rail(g/m)
ARU 55	53	45.7	120	M14x24	4000	14000

Ordering information

Model code

ARC	U	55	M	N	B	2	V1	P	-1480L	-20	-20	II	/J
Customization code For more detailed information please refer to catalog ARC/HRC/ERC Ball Type Linear Guide Series, page 14.													
Number of rails on the same moving axis													
End hole pitch (mm)													
Starting hole pitch (mm)													
Rail length (mm)													
Accuracy grade : UP, SP, P, H, N For more detailed information please refer to catalog ARC/HRC/ERC Ball Type Linear Guide Series, page 13.													
Preload class : VC, V0, V1, V2 For more detailed information please refer to catalog ARC/HRC/ERC Ball Type Linear Guide Series, page 12.													
Block quantity													
Seal type : S: Standard													
Block length : L: long N: standard													
Block width : M: standard F: flanged													
Block type : 15, 20, 25, 30, 35, 45, 55													
U: rail (tapped from the bottom)													
Product type : ARC: automation series HRC: heavy load series													

Note: If there is any customization need, please contact **cpc** for more information.

* **cpc** reserves the right to revise any information(technical details) any time without notice, for printing mistakes or any other incidental mistakes. We take no responsibility.

