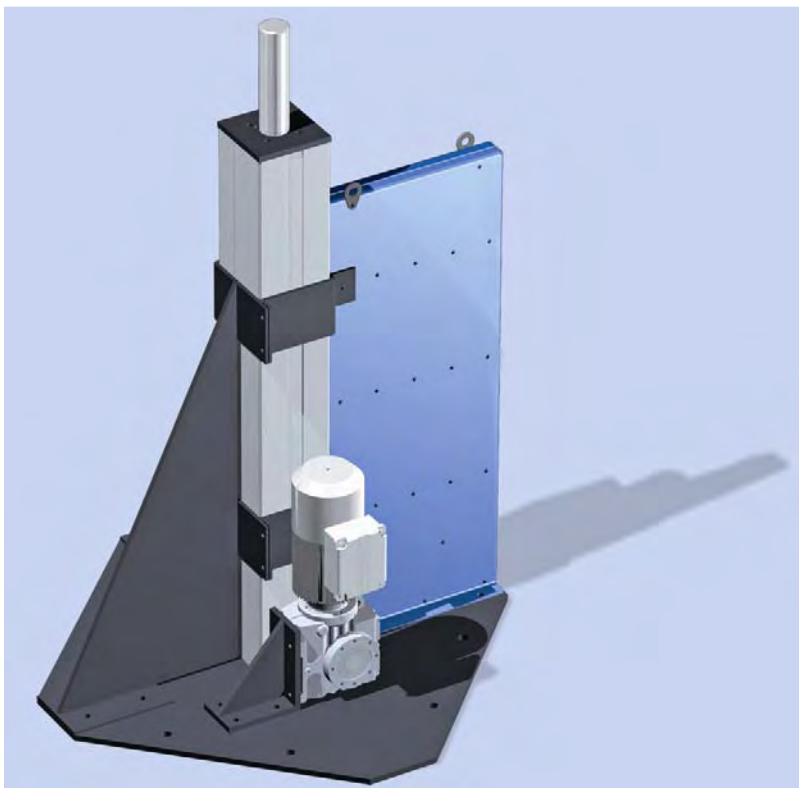


**SERAPID introduces its new
Telescopic Mast,
powered by the Rigid Chain!**



Telescopic Masts



...and its advantages:

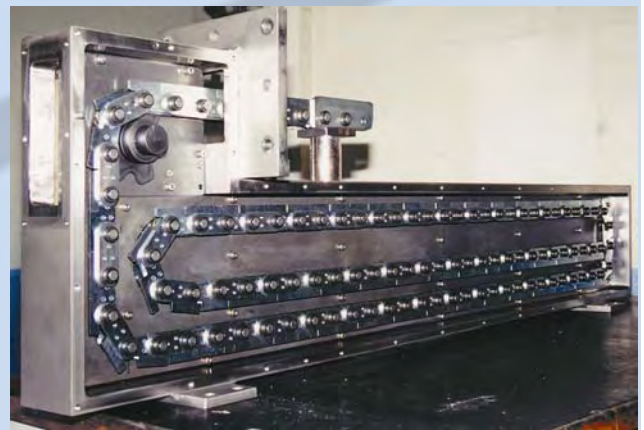
- ▶ long stroke
- ▶ heavy loads
- ▶ self-guided lifting column
- ▶ smooth motion with no drift
- ▶ harsh environment

SERAPID
PUSHING AHEAD



- ▶ Self-guided lifting column
- ▶ Mast made of aluminum
- ▶ Provides smooth motion with no drift
- ▶ Resists lateral loads
- ▶ Easy to install

- ▶ High speed: up to 300 mm/sec
- ▶ Long strokes to 18 metres
- ▶ Loads to 450 Kg
- ▶ Lowered height: 600mm to 4.5m (approximately 25% of raised height)
- ▶ Any power supply, eg 110, 230, 460 VAC or 12, 24, 48 VDC options
- ▶ Custom design
- ▶ Harsh environment applications



This telescopic mast is driven by SERAPID's Rigid Chain.

The Rigid Chain is a telescopic mechanical actuator that is flexible in one direction and forms a steel beam in the other direction. It is used in a variety of applications from clean room to harsh environment.



Distributors for Australia & New Zealand

MOTION TECHNOLOGIES PTY LTD

24/22-30 Northumberland Road
 Caringbah NSW 2229 Australia
 Phone: (02) 9524 4782
 Fax: (02) 9525 3878

sales@motiontech.com.au
 www.motiontech.com.au

© 21/03/19

SERAPID INC.

5400 18 Mile Road Sterling Heights,
 MI 48314 USA
 Ph: +1 586 274 0774
 www.serapid.com

