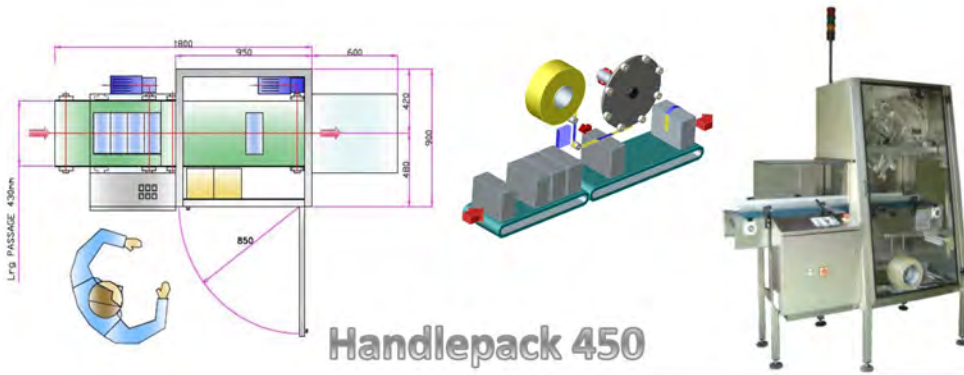
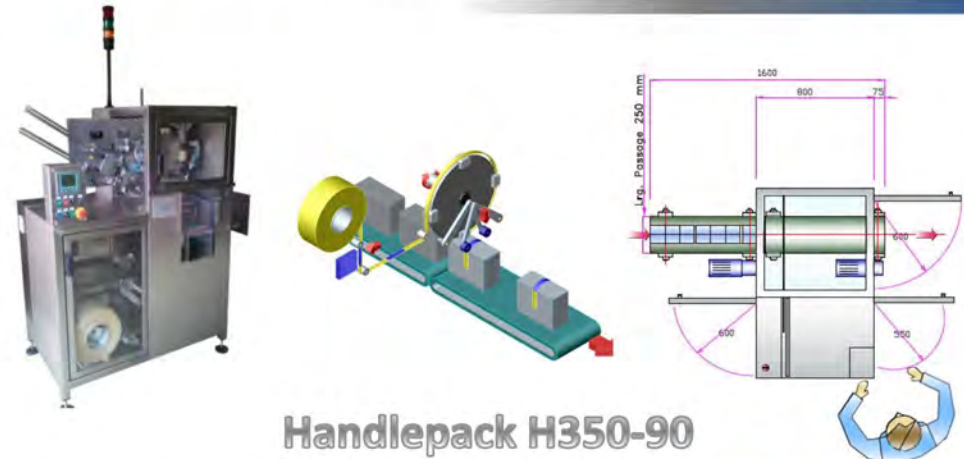


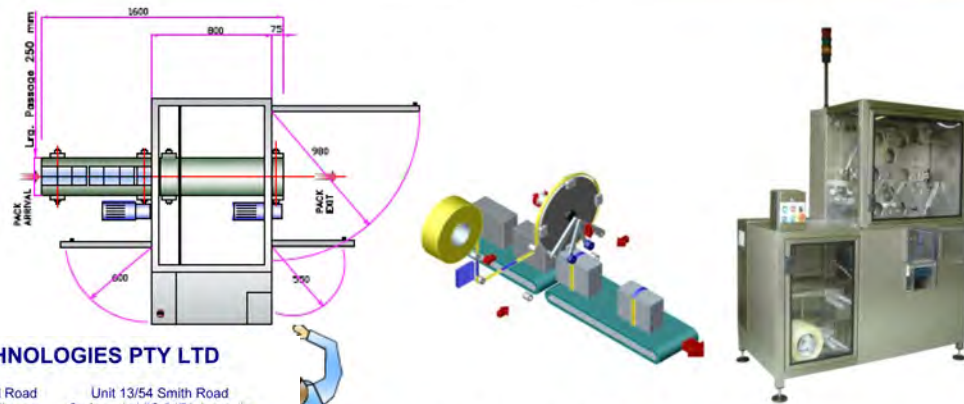
Handlepack 350



Handlepack 450



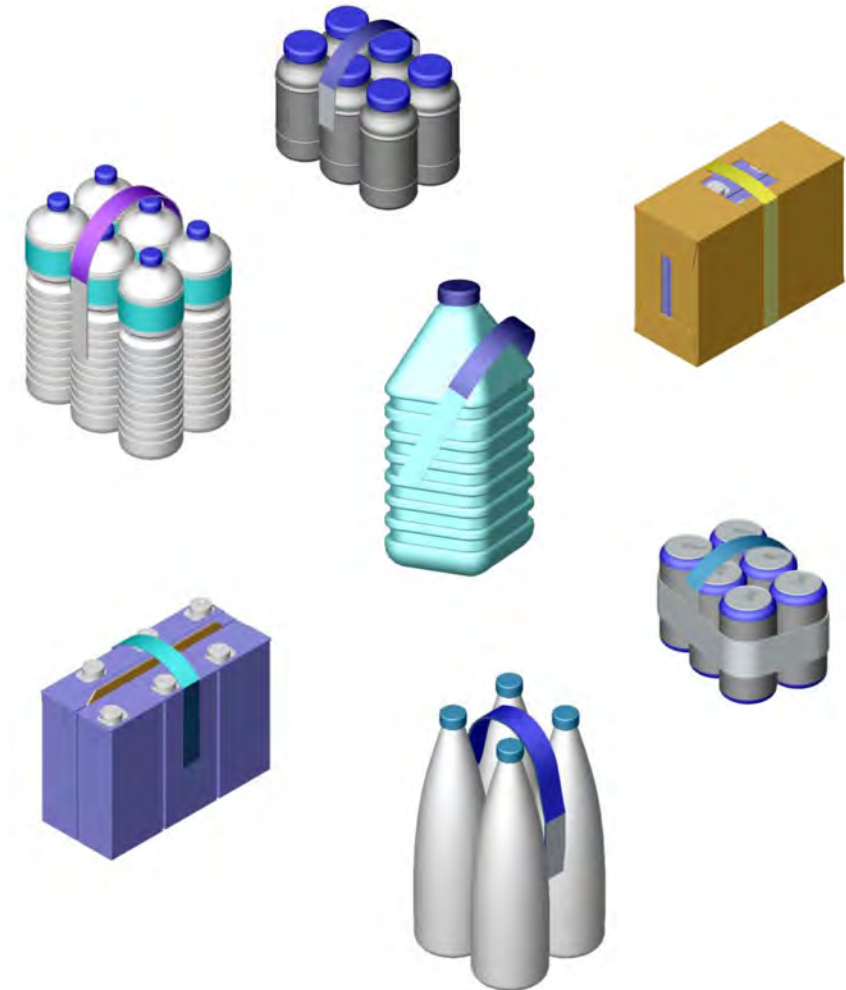
Handlepack H350-90



Handlepack U600

HANDLEPACK Series

Versatile Carry Handle Applicators



**poly
pack** inc.

3301 Gateway Centre Blvd.
Pinellas Park, FL 33782
Tel.: 727.578.5000
Fax: 727.578.1300
www.POLYPACK.com

MOTION TECHNOLOGIES PTY LTD

24/22-30 Northumberland Road
Caringbah NSW 2229 Australia
Phone: (02) 9524 4782
Fax: (02) 9525 3878

Unit 13/54 Smith Road
Springvale VIC 3171 Australia
Phone: (03) 8555 3586
Fax: (03) 8555 3553

sales@motiontech.com.au
www.motiontech.com.au

© 30/03/16

**poly
pack** inc.
www.POLYPACK.com



HANDLEPACK - Patented Rotary Handle Applicator

High Speed Handle Applicator

Packs can be run in close proximity for higher speeds
(Up to 60 Packs/minute)

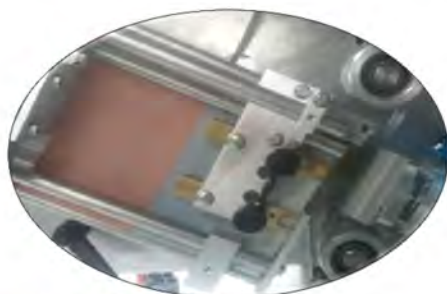
Compact Footprint

Machine length from 1300 to 1800mm
(with infeed conveyor)



Simple Infeed Conveyor

Automatically spaces products for handle application
Modular Design with a Delrin Conveyor Belt



Internal Handle Application

Adhesive tapes and handles are automatically peeled from the roll and applied to the pack inside the machine



HANDLEPACK machines apply carry handles to all types of multipacks and single unit products, including products packaged in paper, corrugate and shrink wrap. **HANDLEPACK** machines are compact in size and provide easy, secure access for reloading handle supplies or performing routine machine maintenance.

Completely Mechanical Design

High reliability and efficiency
Does not use pneumatic cylinders

Product Versatility

Articulated rotary wheel rolls onto and height to apply the adhesive parts of the handle

High Speed Application

Apply up to 80 handles/minute
(dependent on product size)

Easy Changeovers

Automatic, Toolless Changeovers

Adjustable Handle Tension

Handle tension can be tailored by adjusting the height of the rotary applicator

Energy Efficient Design

No compressed air required.
Power: 1.2Kw

Stainless Steel Construction

with transparent polycarbonate safety doors

