



**MOTION TECHNOLOGIES
PTY LTD**

BRUSHLESS DC MOTORS HIGH POWER LOW VOLTAGE

- **0.1Kw to 21Kw**
- **24vDC to 96vDC**
- **80 to 220 frame sizes**



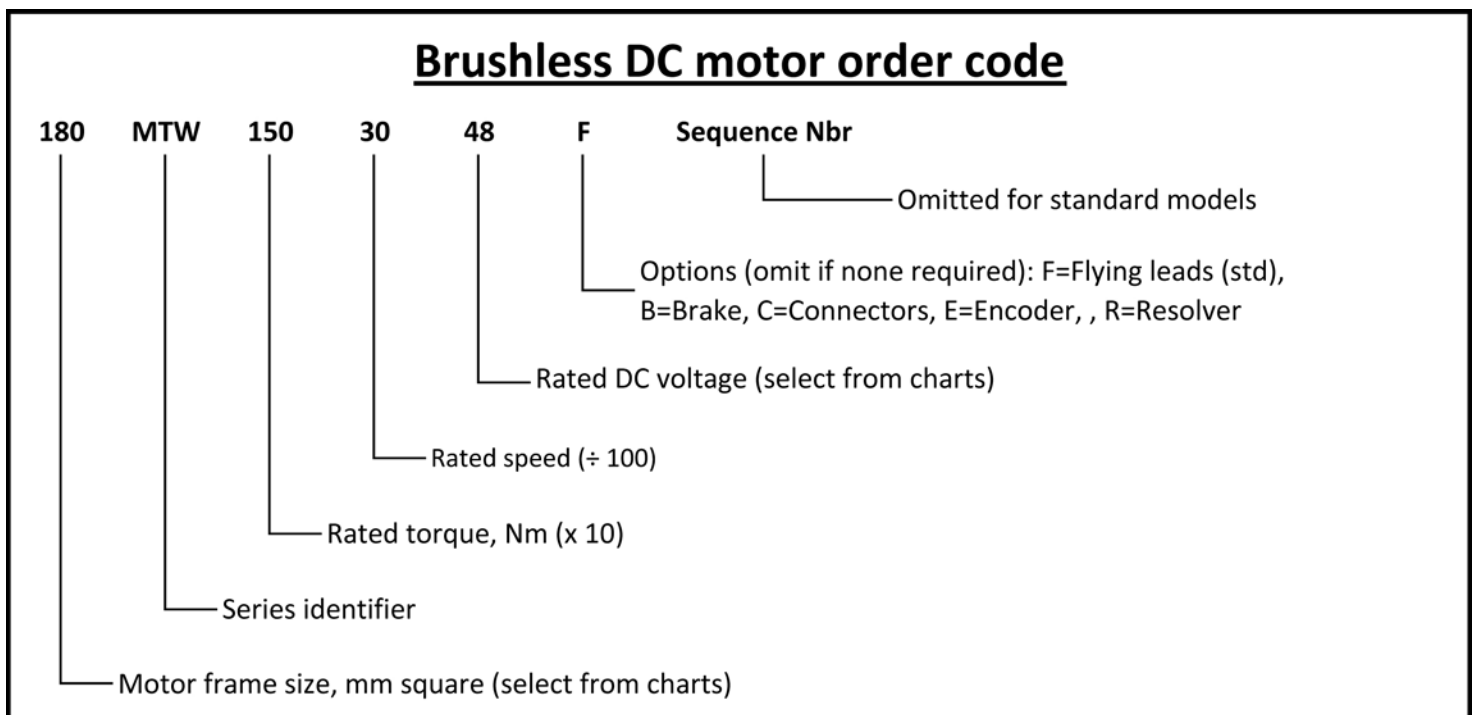
Contents

Description	Page
Product Summary	4
DC Brushless Motor Ordering Code	4-9
Dimensions	10-11
Speed Controllers	12



Product Summary

- (1) Motor frame size: 80, 110, 130, 1, 180 and 220 square
- (2) Hall sensors standard
- (3) Brake optional (24Vdc coil)
- (4) Voltage: 3 phase DC, pwm
- (5) Max power: 3 x rated
- (6) Max speed: 1.2 x rated
- (7) Peak torque: 3 x rated
- (8) Motor sealing: IP65, connector sealing optional
- (9) Class F insulation
- (10) Environment: 20 to 55°c, <90% humidity
- (11) Feedback devices: Resolver, Incremental encoder, Absolute encoder
- (12) Flying leads standard, connectors optional



Motion Technologies Low Voltage Brushless DC motors

Full list of standard windings as of October 2017 (specials on request)

MotionTech Model	Rated					Maximum			Dim. B	Weight
	Torque (Nm)	Speed (RPM)	Voltage (V)	Power (KW)	Current (A)	Torque (Nm)	Speed (RPM)	Power (KW)	Nom. mm	Kg
80MTW01310-24V	1.3	1000	24	0.14	7.1	4	1200	0.4	tba	tba
110MTW02010-24V	2.0			0.20	10.9	6		0.6		
80MTW02410-24V	2.4			0.25	13.1	7.5		0.8		
80MTW03310-24V	3.3			0.35	18.0	10		1.0		
110MTW04010-24V	4.0			0.40	21.8	12		1.3		
130MTW04010-24V	4.0			0.40	20.5	12		1.3		
110MTW06010-24V	6.0			0.60	32.7	18		1.9		
130MTW06010-24V	6.0			0.60	30.8	18		1.9		
130MTW07710-24V	7.7			0.80	39.5	23		2.4		
130MTW10010-24V	10.0			1.00	51.3	30		3.1		
180MTW12010-24V	12.0			1.30	62.0	30		3.1		
130MTW15010-24V	15.0			1.60	77.0	40		4.7		
180MTW16010-24V	16.0			1.70	82.0	42		4.2		
180MTW25010-24V	25.0			2.60	128.0	55		6.5		
180MTW36010-24V	36.0			3.80	185.0	70		9.4		
180MTW50010-24V	50.0			5.20	257.0	110		13.1		

80MTW01320-24V	1.3	2000	24	0.27	14.2	4	2400	0.8	tba	tba
110MTW02020-24V	2.0			0.40	21.8	6		1.3		
80MTW02420-24V	2.4			0.50	26.2	7.5		1.5		
80MTW03320-24V	3.3			0.69	36.0	10		2.1		
110MTW04020-24V	4.0			0.80	43.6	12		2.5		
130MTW04020-24V	4.0			0.80	41.1	12		2.5		
110MTW06020-24V	6.0			1.30	65.4	18		3.8		
130MTW06020-24V	6.0			1.30	61.6	18		3.8		
130MTW07720-24V	7.7			1.60	79.0	23		4.8		
130MTW10020-24V	10.0			2.10	102.7	30		6.3		
180MTW12020-24V	12.0			2.50	123.0	30		6.3		
130MTW15020-24V	15.0			3.10	154.0	40		9.4		
180MTW16020-24V	16.0			3.40	164.0	42		8.4		
180MTW25020-24V	25.0			5.20	257.0	55		13.1		
180MTW36020-24V	36.0			7.50	370.0	70		18.8		
180MTW50020-24V	50.0			10.50	513.0	110		26.2		

80MTW01330-24V	1.3	3000	24	0.41	21.3	4	3600	1.2	150	3
110MTW02030-24V	2.0			0.60	32.7	6		1.9	146	4.3
80MTW02430-24V	2.4			0.75	39.3	7.5		2.3	170	3.4
80MTW03330-24V	3.3			1.04	54.0	10		3.1	tba	tba
110MTW04030-24V	4.0			1.30	65.4	12		3.8	171	5.6
130MTW04030-24V	4.0			1.30	61.6	12		3.8	178	6.5
110MTW06030-24V	6.0			1.90	98.2	18		5.7	201	7.3
130MTW06030-24V	6.0			1.90	92.4	18		5.7	188	7.6
130MTW07730-24V	7.7			2.40	118.6	23		7.3	202	8.8
130MTW10030-24V	10.0			3.10	154.0	30		9.4	238	12
180MTW12030-24V	12.0			3.80	185.0	30		9.4	257	18.6
130MTW15030-24V	15.0			4.70	231.0	40		14.1	tba	tba
180MTW16030-24V	16.0			5.00	246.0	42		12.6	257	18.6
180MTW25030-24V	25.0			7.90	385.0	55		19.6	273	26

80MTW01310-48V	1.3	1000	48	0.14	3.5	4	1200	0.4	tba	tba
110MTW02010-48V	2.0			0.20	5.5	6		0.6		
80MTW02410-48V	2.4			0.25	6.5	7.5		0.8		
80MTW03310-48V	3.3			0.35	9.0	10		1.0		
110MTW04010-48V	4.0			0.40	10.9	12		1.3		
130MTW04010-48V	4.0			0.40	10.3	12		1.3		
110MTW06010-48V	6.0			0.60	16.4	18		1.9		
130MTW06010-48V	6.0			0.60	15.4	18		1.9		

Motion Technologies Low Voltage Brushless DC motors

Full list of standard windings as of October 2017 (specials on request)

MotionTech Model	Rated					Maximum			Dim. B	Weight
	Torque (Nm)	Speed (RPM)	Voltage (V)	Power (KW)	Current (A)	Torque (Nm)	Speed (RPM)	Power (KW)	Nom. mm	Kg
130MTW07710-48V	7.7	1000	48	0.80	19.8	23	1200	2.4	tba	tba
130MTW10010-48V	10.0			1.00	25.7	30		3.1		
180MTW12010-48V	12.0			1.30	31.0	30		3.1		
130MTW15010-48V	15.0			1.60	38.5	40		4.7		
180MTW16010-48V	16.0			1.70	41.0	42		4.2		
220MTW20010-48V	20.0			2.10	51.0	50		5.2		
180MTW25010-48V	25.0			2.60	64.0	55		6.5		
220MTW30010-48V	30.0			3.10	77.0	70		7.9		
180MTW36010-48V	36.0			3.80	92.0	70		9.4		
220MTW40010-48V	40.0			4.20	103.0	80		10.5		
180MTW50010-48V	50.0			5.20	128.0	110		13.1		
220MTW60010-48V	60.0			6.30	154.0	110		15.7		

80MTW01320-48V	1.3	2000	48	0.27	7.1	4	2400	0.8	tba	tba
110MTW02020-48V	2.0			0.40	10.9	6		1.3		
80MTW02420-48V	2.4			0.50	13.1	7.5		1.5		
80MTW03320-48V	3.3			0.69	18.0	10		2.1		
110MTW04020-48V	4.0			0.80	21.8	12		2.5		
130MTW04020-48V	4.0			0.80	20.5	12		2.5		
110MTW06020-48V	6.0			1.30	32.7	18		3.8		
130MTW06020-48V	6.0			1.30	30.8	18		3.8		
130MTW07720-48V	7.7			1.60	39.5	23		4.8		
130MTW10020-48V	10.0			2.10	51.3	30		6.3		
180MTW12020-48V	12.0			2.50	62.0	30		6.3		
130MTW15020-48V	15.0			3.10	77.0	40		9.4		
180MTW16020-48V	16.0			3.40	82.0	42		8.4		
180MTW25020-48V	25.0			5.20	128.0	55		13.1		
180MTW36020-48V	36.0			7.50	185.0	70		18.8		
180MTW50020-48V	50.0			10.50	257.0	110		26.2		

220MTW20025-48V	20.0	2500	48	5.20	128.0	50	3000	13.1	220	29
220MTW30025-48V	30.0			7.90	192.0	70		19.6	270	41.5
220MTW40025-48V	40.0			10.50	257.0	80		26.2	330	61.5
220MTW60025-48V	60.0			15.70	385.0	110		39.3	370	76

80MTW01330-48V	1.3	3000	48	0.41	10.6	4	3600	1.2	150	3
110MTW02030-48V	2.0			0.60	16.4	6		1.9	146	4.3
80MTW02430-48V	2.4			0.75	19.6	7.5		2.3	170	3.4
80MTW03330-48V	3.3			1.04	27.0	10		3.1	tba	tba
110MTW04030-48V	4.0			1.30	32.7	12		3.8	171	5.6
130MTW04030-48V	4.0			1.30	30.8	12		3.8	178	6.5
110MTW06030-48V	6.0			1.90	49.1	18		5.7	201	7.3
130MTW06030-48V	6.0			1.90	46.2	18		5.7	188	7.6
130MTW07730-48V	7.7			2.40	59.3	23		7.3	202	8.8
130MTW10030-48V	10.0			3.10	77.0	30		9.4	238	12
180MTW12030-48V	12.0			3.80	92.0	30		9.4	257	18.6
130MTW15030-48V	15.0			4.70	115.5	40		14.1	tba	tba
180MTW16030-48V	16.0			5.00	123.0	42		12.6	257	18.6
180MTW25030-48V	25.0			7.90	192.0	55		19.6	273	26

80MTW01360-48V	1.3	6000	48	0.82	24.3	4	7200	2.5	tba	tba
110MTW02060-48V	2.0			1.30	37.4	6		3.8		
80MTW02460-48V	2.4			1.51	44.9	7.5		4.5		
80MTW03360-48V	3.3			2.07	61.7	10		6.2		
110MTW04060-48V	4.0			2.50	74.8	12		7.5		
130MTW04060-48V	4.0			2.50	74.8	12		7.5		

Motion Technologies Low Voltage Brushless DC motors

Full list of standard windings as of October 2017 (specials on request)

MotionTech Model	Rated					Maximum			Dim. B	Weight
	Torque (Nm)	Speed (RPM)	Voltage (V)	Power (KW)	Current (A)	Torque (Nm)	Speed (RPM)	Power (KW)	Nom. mm	Kg
110MTW06060-48V	6.0	6000	48	3.80	112.2	18	7200	11.3	tba	tba
130MTW06060-48V	6.0			3.80	112.2	18		11.3		
130MTW07760-48V	7.7			4.80	144.0	23		14.5		
130MTW10060-48V	10.0			6.30	187.0	30		18.8		

80MTW01310-72V	1.3	1000	72	0.14	2.4	4	1200	0.4	tba	tba
110MTW02010-72V	2.0			0.20	3.6	6		0.6		
80MTW02410-72V	2.4			0.25	4.4	7.5		0.8		
80MTW03310-72V	3.3			0.35	6.0	10		1.0		
110MTW04010-72V	4.0			0.40	7.3	12		1.3		
130MTW04010-72V	4.0			0.40	6.8	12		1.3		
110MTW06010-72V	6.0			0.60	10.9	18		1.9		
130MTW06010-72V	6.0			0.60	10.3	18		1.9		
130MTW07710-72V	7.7			0.80	13.2	23		2.4		
130MTW10010-72V	10.0			1.00	17.1	30		3.1		
180MTW12010-72V	12.0			1.30	21.0	30		3.1		
130MTW15010-72V	15.0			1.60	25.7	40		4.7		
180MTW16010-72V	16.0			1.70	27.0	42		4.2		
220MTW20010-72V	20.0			2.10	34.0	50		5.2		
180MTW25010-72V	25.0			2.60	43.0	55		6.5		
220MTW30010-72V	30.0			3.10	51.0	70		7.9		
180MTW36010-72V	36.0			3.80	62.0	70		9.4		
220MTW40010-72V	40.0			4.20	68.0	80		10.5		
180MTW50010-72V	50.0			5.20	86.0	110		13.1		
220MTW60010-72V	60.0			6.30	103.0	110		15.7		
220MTW100010-72V	100.0	10.50	171.0	200	26.2					

80MTW01320-72V	1.3	2000	72	0.27	4.7	4	2400	0.8	tba	tba
110MTW02020-72V	2.0			0.40	7.3	6		1.3		
80MTW02420-72V	2.4			0.50	8.7	7.5		1.5		
80MTW03320-72V	3.3			0.69	12.0	10		2.1		
110MTW04020-72V	4.0			0.80	14.5	12		2.5		
130MTW04020-72V	4.0			0.80	13.7	12		2.5		
110MTW06020-72V	6.0			1.30	21.8	18		3.8		
130MTW06020-72V	6.0			1.30	20.5	18		3.8		
130MTW07720-72V	7.7			1.60	26.3	23		4.8		
130MTW10020-72V	10.0			2.10	34.2	30		6.3		
180MTW12020-72V	12.0			2.50	41.0	30		6.3		
130MTW15020-72V	15.0			3.10	51.3	40		9.4		
180MTW16020-72V	16.0			3.40	55.0	42		8.4		
180MTW25020-72V	25.0			5.20	86.0	55		13.1		
180MTW36020-72V	36.0			7.50	123.0	70		18.8		
180MTW50020-72V	50.0			10.50	171.0	110		26.2		
220MTW100020-72V	100.0			20.90	342.0	200		52.4		

220MTW20025-72V	20.0	2500	72	5.20	86.0	50	3000	13.1	220	29
220MTW30025-72V	30.0			7.90	128.0	70		19.6	270	41.5
220MTW40025-72V	40.0			10.50	171.0	80		26.2	330	61.5
220MTW60025-72V	60.0			15.70	257.0	110		39.3	370	76

80MTW01330-72V	1.3	3000	72	0.41	7.1	4	3600	1.2	150	3
110MTW02030-72V	2.0			0.60	10.9	6		1.9	146	4.3
80MTW02430-72V	2.4			0.75	13.1	7.5		2.3	170	3.4
80MTW03330-72V	3.3			1.04	18.0	10		3.1	tba	tba
110MTW04030-72V	4.0			1.30	21.8	12		3.8	171	5.6
130MTW04030-72V	4.0			1.30	20.5	12		3.8	178	6.5
110MTW06030-72V	6.0			1.90	32.7	18		5.7	201	7.3
130MTW06030-72V	6.0			1.90	30.8	18		5.7	188	7.6

Motion Technologies Low Voltage Brushless DC motors

Full list of standard windings as of October 2017 (specials on request)

MotionTech Model	Rated					Maximum			Dim. B	Weight
	Torque (Nm)	Speed (RPM)	Voltage (V)	Power (KW)	Current (A)	Torque (Nm)	Speed (RPM)	Power (KW)	Nom. mm	Kg
130MTW07730-72V	7.7	3000	72	2.40	39.5	23	3600	7.3	202	8.8
130MTW10030-72V	10.0			3.10	51.3	30		9.4	238	12
180MTW12030-72V	12.0			3.80	62.0	30		9.4	257	18.6
130MTW15030-72V	15.0			4.70	77.0	40		14.1	tba	tba
180MTW16030-72V	16.0			5.00	82.0	42		12.6	257	18.6
180MTW25030-72V	25.0			7.90	128.0	55		19.6	273	26
180MTW36030-72V	36.0			11.30	185.0	70		28.3	328	31

80MTW01360-72V	1.3	6000	72	0.82	16.2	4	7200	2.5	tba	tba
110MTW02060-72V	2.0			1.30	24.9	6		3.8		
80MTW02460-72V	2.4			1.51	29.9	7.5		4.5		
80MTW03360-72V	3.3			2.07	41.1	10		6.2		
110MTW04060-72V	4.0			2.50	49.9	12		7.5		
130MTW04060-72V	4.0			2.50	49.9	12		7.5		
110MTW06060-72V	6.0			3.80	74.8	18		11.3		
130MTW06060-72V	6.0			3.80	74.8	18		11.3		
130MTW07760-72V	7.7			4.80	96.0	23		14.5		
130MTW10060-72V	10.0			6.30	124.7	30		18.8		

80MTW01310-96V	1.3	1000	96	0.14	1.8	4	1200	0.4	tba	tba
110MTW02010-96V	2.0			0.20	2.7	6		0.6		
80MTW02410-96V	2.4			0.25	3.3	7.5		0.8		
80MTW03310-96V	3.3			0.35	4.5	10		1.0		
110MTW04010-96V	4.0			0.40	5.5	12		1.3		
130MTW04010-96V	4.0			0.40	5.1	12		1.3		
110MTW06010-96V	6.0			0.60	8.2	18		1.9		
130MTW06010-96V	6.0			0.60	7.7	18		1.9		
130MTW07710-96V	7.7			0.80	9.9	23		2.4		
130MTW10010-96V	10.0			1.00	12.8	30		3.1		
180MTW12010-96V	12.0			1.30	15.0	30		3.1		
130MTW15010-96V	15.0			1.60	19.2	40		4.7		
180MTW16010-96V	16.0			1.70	21.0	42		4.2		
220MTW20010-96V	20.0			2.10	26.0	50		5.2		
180MTW25010-96V	25.0			2.60	32.0	55		6.5		
220MTW30010-96V	30.0			3.10	38.0	70		7.9		
180MTW36010-96V	36.0			3.80	46.0	70		9.4		
220MTW40010-96V	40.0			4.20	51.0	80		10.5		
180MTW50010-96V	50.0			5.20	64.0	110		13.1		
220MTW60010-96V	60.0			6.30	77.0	110		15.7		
220MTW100010-96V	100.0			10.50	128.0	200		26.2		

80MTW01320-96V	1.3	2000	96	0.27	3.5	4	2400	0.8	tba	tba
110MTW02020-96V	2.0			0.40	5.5	6		1.3		
80MTW02420-96V	2.4			0.50	6.5	7.5		1.5		
80MTW03320-96V	3.3			0.69	9.0	10		2.1		
110MTW04020-96V	4.0			0.80	10.9	12		2.5		
130MTW04020-96V	4.0			0.80	10.3	12		2.5		
110MTW06020-96V	6.0			1.30	16.4	18		3.8		
130MTW06020-96V	6.0			1.30	15.4	18		3.8		
130MTW07720-96V	7.7			1.60	19.8	23		4.8		
130MTW10020-96V	10.0			2.10	25.7	30		6.3		
180MTW12020-96V	12.0			2.50	31.0	30		6.3		
130MTW15020-96V	15.0			3.10	38.5	40		9.4		
180MTW16020-96V	16.0			3.40	41.0	42		8.4		
180MTW25020-96V	25.0			5.20	64.0	55		13.1		
180MTW36020-96V	36.0			7.50	92.0	70		18.8		
180MTW50020-96V	50.0			10.50	128.0	110		26.2		
220MTW100020-96V	100.0			20.90	257.0	200		52.4		

Motion Technologies Low Voltage Brushless DC motors

Full list of standard windings as of October 2017 (specials on request)

MotionTech Model	Rated					Maximum			Dim. B	Weight
	Torque (Nm)	Speed (RPM)	Voltage (V)	Power (KW)	Current (A)	Torque (Nm)	Speed (RPM)	Power (KW)	Nom. mm	Kg
220MTW20025-96V	20.0	2500	96	5.20	64.0	50	3000	13.1	220	29
220MTW30025-96V	30.0			7.90	96.0	70		19.6	270	41.5
220MTW40025-96V	40.0			10.50	128.0	80		26.2	330	61.5
220MTW60025-96V	60.0			15.70	192.0	110		39.3	370	76

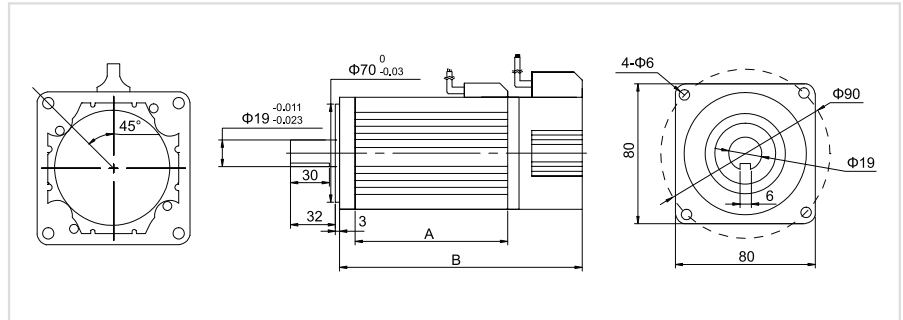
80MTW01330-96V	1.3	3000	96	0.41	5.3	4	3600	1.2	150	3
110MTW02030-96V	2.0			0.60	8.2	6		1.9	146	4.3
80MTW02430-96V	2.4			0.75	9.8	7.5		2.3	170	3.4
80MTW03330-96V	3.3			1.04	13.5	10		3.1	tba	tba
110MTW04030-96V	4.0			1.30	16.4	12		3.8	171	5.6
130MTW04030-96V	4.0			1.30	15.4	12		3.8	178	6.5
110MTW06030-96V	6.0			1.90	24.5	18		5.7	201	7.3
130MTW06030-96V	6.0			1.90	23.1	18		5.7	188	7.6
130MTW07730-96V	7.7			2.40	29.6	23		7.3	202	8.8
130MTW10030-96V	10.0			3.10	38.5	30		9.4	238	12
180MTW12030-96V	12.0			3.80	46.0	30		9.4	257	18.6
130MTW15030-96V	15.0			4.70	57.7	40		14.1	tba	tba
180MTW16030-96V	16.0			5.00	62.0	42		12.6	257	18.6
180MTW25030-96V	25.0			7.90	96.0	55		19.6	273	26
180MTW36030-96V	36.0			11.30	139.0	70		28.3	328	31
180MTW50030-96V	50.0			15.70	192.0	110		39.3	tba	tba

80MTW01360-96V	1.3	6000	96	0.82	12.2	4	7200	2.5	tba	tba
110MTW02060-96V	2.0			1.30	18.7	6		3.8	tba	tba
80MTW02460-96V	2.4			1.51	22.4	7.5		4.5	tba	tba
80MTW03360-96V	3.3			2.07	30.9	10		6.2	tba	tba
110MTW04060-96V	4.0			2.50	37.4	12		7.5	tba	tba
130MTW04060-96V	4.0			2.50	37.4	12		7.5	tba	tba
110MTW06060-96V	6.0			3.80	56.1	18		11.3	tba	tba
130MTW06060-96V	6.0			3.80	56.1	18		11.3	tba	tba
130MTW07760-96V	7.7			4.80	72.0	23		14.5	tba	tba
130MTW10060-96V	10.0			6.30	93.5	30		18.8	tba	tba

Dimensions

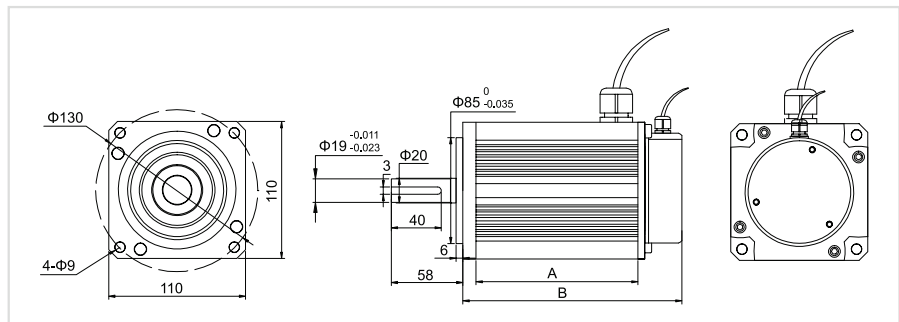
80 Frame: 0.4kw to 2.1kw

DC brushless motor



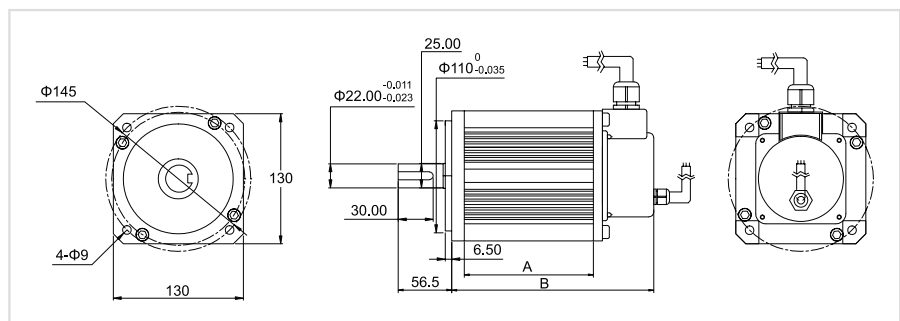
110 Frame: 0.6kw to 2.5kw

DC brushless motor



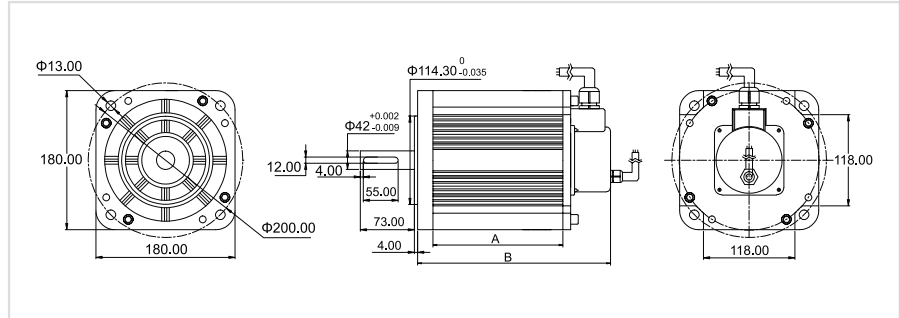
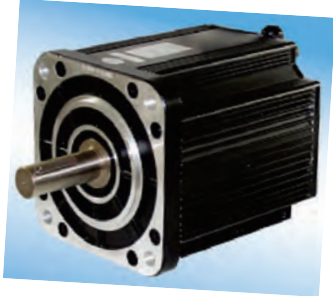
130 Frame: 1.3kw to 6.3kw

DC brushless motor



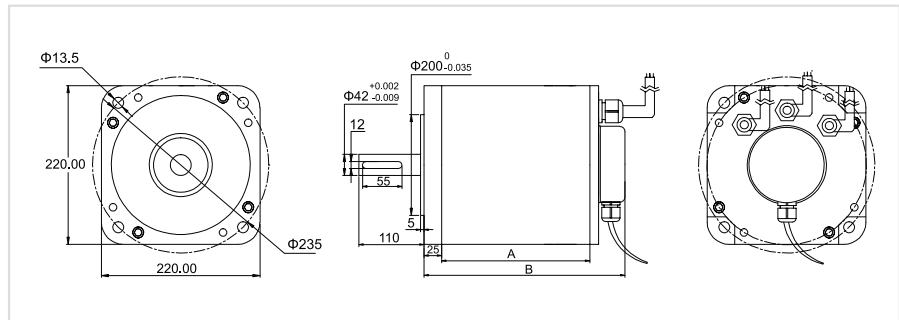
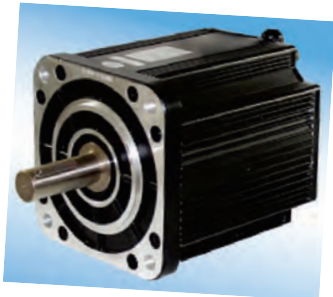
180 Frame: 3.1kw to 15.7kw

DC brushless motor



220 Frame: 5.2kw to 21.0kw

DC brushless motor



Custom Design (on request)

- Output shaft
- Mounting flange
- Motor winding (current/speed/torque/voltage)
- Rear shaft
- Environmental sealing

Motion Technologies LV Brushless DC Motor Controllers

High performance series (summary).....see full data sheet at http://www.motiontech.com.au/product_cat/speed-controllers/																	
Model number	Nbr axis Channels	Volts DC Supply	Cont. Amps/Ch	Peak Amps/Ch	Sensorless FOC	Cooling	Frame	Analogue Inputs	Digital Inputs	G.P. Outputs	Pulse Inputs	Dimensions, mm					
MTS1330	1	30	20	30	No	Conduction plate	Open	6	6	2 @ 1.5A	4	70x70x27					
MTS2330S			40	60	Yes			8	10	4 @ 1.5A	8	123x83x25					
MTM1330			50	100	150		No	Heatsink extrusion	IP51	4	6	2 @ 1.5A	5	140x113x29			
MTM1330A							Yes			11	19	8 @ 1.0A	6	228x140x40			
MTH1630		60	50	20	30	No	Conduction plate	Open	6	6	2 @ 1.5A	4	70x70x27				
MTH1650									8	10	4 @ 1.5A	6	123x83x25				
MTS1360								80	120	Yes	Enclosed	IP51	4	6	2 @ 1.5A	5	140x140x25
MTS2360S										No			11	19	8 @ 1.0A	6	228x140x40
MTF2360S			100	150	500	Yes	Conduction plate	IP51	8	10	6 @ 1.0A	8	190x200x58				
MTF2360AS									11	19	8 @ 1.0A	6	228x140x40				
MTM1660			72	100	150	No	Heatsink extrusion	IP51	8	10	8 @ 1.0A	6	228x140x40				
MTM1660A									Yes	11	19	8 @ 1.0A	6	228x140x40			
MTH1660			96	100	150	No	Heatsink extrusion	IP51	8	10	6 @ 1.0A	8	190x200x58				
MTRG1860									11	19	8 @ 1.0A	6	228x140x40				
MTH1672				200	300	Yes	Conduction plate	IP51	8	10	6 @ 1.0A	8	190x200x58				
MTRG1872									11	19	8 @ 1.0A	6	228x140x40				
MTH1696		30	20	30	Yes	Conduction plate	Open	8	10	6 @ 1.0A	8	140x200x58					
MTRG1896								4 @ 1.5A	8	123x83x25							
MTS2330			50	50	75	No	Heatsink extrusion	IP51	11	19	8 @ 1.0A	4	228x140x40				
MTH2330									8	10	4 @ 1.5A	6	140x140x25				
MTH2350	60	20	30	Yes	Conduction plate	Enclosed	IP51	8	10	4 @ 1.5A	6	140x140x25					
MTS2360													40	60	No	Heatsink extrusion	IP51
MTF2360		72	50	75	No	Heatsink extrusion	IP51	11	19	8 @ 1.0A	4	228x140x40					
MTF2360A													96				
MTH2360	96	50	75	No	Heatsink extrusion	IP51	11	19	8 @ 1.0A	4	228x140x40						
MTH2372																	
MTH2396	96																

Medium Performance series (summary).....see full data sheet at http://www.motiontech.com.au/product_cat/speed-controllers/											
Model number	Min. Order Qty	Nbr Ch	Volts DC Supply	Cont. Amps	Peak Amps (time)	Cooling	EMC Environment	Regen braking outputs	Over voltage limit	Fan output	Dimensions, mm
EM316A	1	1	12-24	10	25 (2 secs.)	Heatsink extrusion	Industrial & Household	No	40VDC	No	89x73x20
EM346	1	1	12-24	10	25 (2 secs.)	Heatsink extrusion	Industrial & Household	Yes	40VDC	No	89x73x32
EM151B	1	1	12-32	20	40 (5 secs.)	Heatsink extrusion	Industrial only	No	38VDC	No	108x91x40
EM347	1	1	12-36	50	100 (2 secs.)	Heatsink extrusion	Industrial only	Yes	65VDC	Yes	140x122x50
EM347-48	1	1	24-48	40	80 (2 secs.)	Heatsink extrusion	Industrial only	Yes	65VDC	Yes	140x122x50

Common features for EM series

1) Analogue input, 0-5 or 0-10V	4) Optional programming device (EM236)	7) Dynamic braking
2) Open or closed loop speed control	5) 5VDC output	8) NPN outputs for overcurrent and fault
3) Open frame with optional DIN rail kit	6) Overvoltage shutdown at 40VDC	9) Optional enclosure kits available

Other Motion Tech Products



KOLLMORGEN



Precision in the Extreme



LinMot



Distributors for Australia & New Zealand

MOTION TECHNOLOGIES PTY LTD

24/22-30 Northumberland Road
Caringbah NSW 2229 Australia

Phone: (02) 9524 4782

Fax: (02) 9525 3878

sales@motiontech.com.au

www.motiontech.com.au

© 16/04/18