



**MOTION TECHNOLOGIES  
PTY LTD**

**BRUSHLESS DC MOTORS  
HIGH POWER  
LOW VOLTAGE**

- 0.1Kw to 21Kw
- 24vDC to 96vDC
- 80 to 220 frame sizes



**SUSPENDED PRODUCT  
USE FOR REFERENCE ONLY**

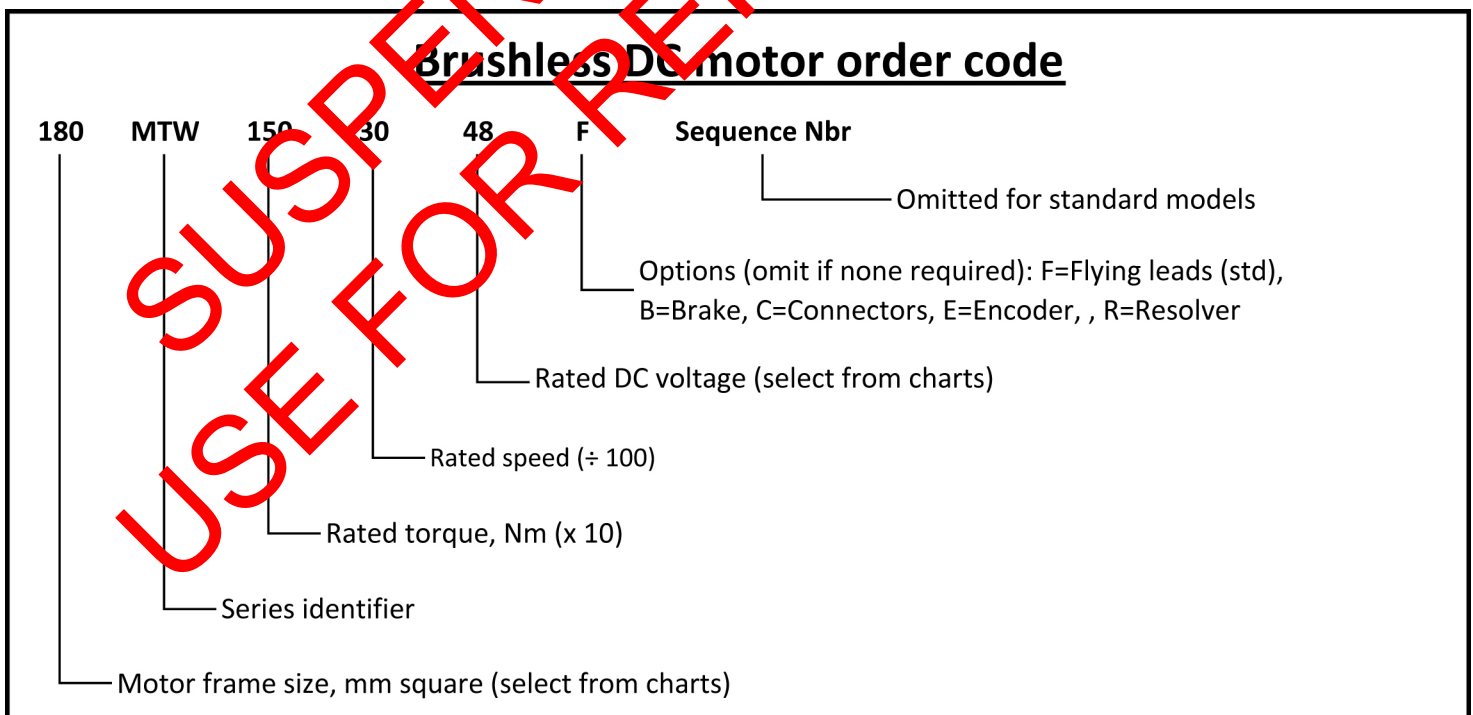
# Contents

Description	Page
Product Summary	4
DC Brushless Motor Ordering Code	4-9
Dimensions	10-11
Speed Controllers	12



## Product Summary

- (1) Motor frame size: 80, 110, 130, 1, 180 and 220 square
- (2) Hall sensors standard
- (3) Brake optional (24Vdc coil)
- (4) Voltage: 3 phase DC, pwm
- (5) Max power: 3 x rated
- (6) Max speed: 1.2 x rated
- (7) Peak torque: 3 x rated
- (8) Motor sealing: IP65, connector sealing optional
- (9) Class F insulation
- (10) Environment: 20 to 55°C, <90% humidity
- (11) Feedback devices: Resolver, Incremental encoder, Absolute encoder
- (12) Flying leads standard, connectors optional



# Motion Technologies Low Voltage Brushless DC motors

Full list of standard windings as of October 2017 (specials on request)

MotionTech Model	Rated					Maximum			Dim. B Nom. mm	Weight Kg
	Torque (Nm)	Speed (RPM)	Voltage (V)	Power (KW)	Current (A)	Torque (Nm)	Speed (RPM)	Power (KW)		
80MTW01310-24V	1.3	1000	24	0.14	7.1	4	1200	0.4	tba	tba
110MTW02010-24V	2.0			0.20	10.9	6		0.6		
80MTW02410-24V	2.4			0.25	13.1	7.5		0.8		
80MTW03310-24V	3.3			0.35	18.0	10		1.0		
110MTW04010-24V	4.0			0.40	21.8	12		1.3		
130MTW04010-24V	4.0			0.40	20.5	12		1.3		
110MTW06010-24V	6.0			0.60	32.7	18		1.9		
130MTW06010-24V	6.0			0.60	30.8	18		1.9		
130MTW07710-24V	7.7			0.80	39.5	23		2.4		
130MTW10010-24V	10.0			1.00	51.3	30		3.1		
180MTW12010-24V	12.0			1.30	62.0	30		3.1		
130MTW15010-24V	15.0			1.60	77.0	40		4.7		
180MTW16010-24V	16.0			1.70	82.0	42		4.2		
180MTW25010-24V	25.0			2.60	128.0	55		6.5		
180MTW36010-24V	36.0			3.80	185.0	70		9.4		
180MTW50010-24V	50.0			5.20	257.0	110		13.1		

80MTW01320-24V	1.3	2000	24	0.27	14.2	4	2400	0.8	tba	tba
110MTW02020-24V	2.0			0.40	21.8	6		1.3		
80MTW02420-24V	2.4			0.50	26.2	7.5		1.5		
80MTW03320-24V	3.3			0.69	35.0	11		2.1		
110MTW04020-24V	4.0			0.80	43.6	12		2.5		
130MTW04020-24V	4.0			0.80	41.1	12		2.5		
110MTW06020-24V	6.0			1.3	65.4	18		3.8		
130MTW06020-24V	6.0			1.30	61.6	18		3.8		
130MTW07720-24V	7.7			1.60	79.0	23		4.8		
130MTW10020-24V	10.0			2.10	102.7	30		6.3		
180MTW12020-24V	12.0			2.70	123.0	30		6.3		
130MTW15020-24V	15.0			3.10	154.0	40		9.4		
180MTW16020-24V	16.0			3.40	164.0	42		8.4		
180MTW25020-24V	25.0			5.20	257.0	55		13.1		
180MTW36020-24V	36.0			7.50	370.0	70		18.8		
180MTW50020-24V	50.0			10.50	517.0	110		26.2		

80MTW01330-24V	1.3	3000	24	0.40	21.3	4	3600	1.2	150	3
110MTW02030-24V	2.0			0.60	32.7	6		1.9	146	4.3
80MTW02430-24V	2.4			0.75	39.3	7.5		2.3	170	3.4
80MTW03330-24V	3.3			1.04	54.0	10		3.1	tba	tba
110MTW04030-24V	4.0			1.30	65.4	12		3.8	171	5.6
130MTW04030-24V	4.0			1.30	61.6	12		3.8	178	6.5
110MTW06030-24V	6.0			1.90	98.2	18		5.7	201	7.3
130MTW06030-24V	6.0			1.90	92.4	18		5.7	188	7.6
130MTW07730-24V	7.7			2.40	118.6	23		7.3	202	8.8
130MTW10030-24V	10.0			3.10	154.0	30		9.4	238	12
180MTW12030-24V	12.0			3.80	185.0	30		9.4	257	18.6
130MTW15030-24V	15.0			4.70	231.0	40		14.1	tba	tba
180MTW16030-24V	16.0			5.00	246.0	42		12.6	257	18.6
180MTW25030-24V	25.0			7.90	385.0	55		19.6	273	26

80MTW01340-48V	1.3	1000	48	0.14	3.5	4	1200	0.4	tba	tba
110MTW02040-48V	2.0			0.20	5.5	6		0.6		
80MTW02440-48V	2.4			0.25	6.5	7.5		0.8		
80MTW03340-48V	3.3			0.35	9.0	10		1.0		
110MTW04040-48V	4.0			0.40	10.9	12		1.3		
130MTW04040-48V	4.0			0.40	10.3	12		1.3		
130MTW06040-48V	6.0			0.60	16.4	18		1.9		
130MTW06040-48V	6.0			0.60	15.4	18		1.9		

## Motion Technologies Low Voltage Brushless DC motors

Full list of standard windings as of October 2017 (specials on request)

MotionTech Model	Rated					Maximum			Dim. B	Weight					
	Torque (Nm)	Speed (RPM)	Voltage (V)	Power (KW)	Current (A)	Torque (Nm)	Speed (RPM)	Power (KW)	Nom. mm	Kg					
130MTW07710-48V	7.7	1000	48	0.80	19.8	23	1200	2.4	tba	tba					
130MTW10010-48V	10.0			1.00	25.7	30		3.1							
180MTW12010-48V	12.0			1.30	31.0	30		3.1							
130MTW15010-48V	15.0			1.60	38.5	40		4.7							
180MTW16010-48V	16.0			1.70	41.0	42		4.2							
220MTW20010-48V	20.0			2.10	51.0	50		5.2							
180MTW25010-48V	25.0			2.60	64.0	55		6.5							
220MTW30010-48V	30.0			3.10	77.0	70		7.9							
180MTW36010-48V	36.0			3.80	92.0	70		9.4							
220MTW40010-48V	40.0			4.20	103.0	80		10.5							
180MTW50010-48V	50.0			5.20	128.0	110		13.1							
220MTW60010-48V	60.0			6.30	154.0	110		15.7							
80MTW01320-48V	1.3			2000	48	0.27		7.1			4	2400	0.8	tba	tba
110MTW02020-48V	2.0					0.40		10.9			6		1.3		
80MTW02420-48V	2.4	0.50	13.1			7.5	1.5								
80MTW03320-48V	3.3	0.69	18.0			11	2.1								
110MTW04020-48V	4.0	0.80	21.8			12	2.5								
130MTW04020-48V	4.0	0.80	20.5			12	2.5								
110MTW06020-48V	6.0	1.30	32.7			18	3.7								
130MTW06020-48V	6.0	1.30	30.8			18	3.8								
130MTW07720-48V	7.7	1.60	39.5			23	4.8								
130MTW10020-48V	10.0	2.10	51.3			30	5.3								
180MTW12020-48V	12.0	2.50	62.0			30	6.3								
130MTW15020-48V	15.0	3.10	77.0			40	9.4								
180MTW16020-48V	16.0	3.40	82.0			42	8.4								
180MTW25020-48V	25.0	4.20	128.0			55	13.1								
180MTW36020-48V	36.0	5.20	185.0			70	18.8								
180MTW50020-48V	50.0	6.30	254.0			110	26.2								
220MTW20025-48V	20.0	2000	48			5.20	128.0	50	3000	13.1	220		29		
220MTW30025-48V	30.0					7.90	192.0	70		19.6	270		41.5		
220MTW40025-48V	40.0			10.50	257.0	80	26.2	330		61.5					
220MTW60025-48V	60.0			15.70	385.0	110	39.3	370		76					
80MTW01330-48V	1.3	3000	48	0.41	10.6	4	3600	1.2	150	3					
110MTW02030-48V	2.0			0.60	16.4	6		1.9	146	4.3					
80MTW02430-48V	2.4			0.75	19.6	7.5		2.3	170	3.4					
80MTW03330-48V	3.3			1.04	27.0	10		3.1	tba	tba					
110MTW04030-48V	4.0			1.30	32.7	12		3.8	171	5.6					
130MTW04030-48V	4.0			1.30	30.8	12		3.8	178	6.5					
110MTW06030-48V	6.0			1.90	49.1	18		5.7	201	7.3					
130MTW06030-48V	6.0			1.90	46.2	18		5.7	188	7.6					
130MTW07730-48V	7.7			2.40	59.3	23		7.3	202	8.8					
130MTW10030-48V	10.0			3.10	77.0	30		9.4	238	12					
180MTW12030-48V	12.0			3.80	92.0	30		9.4	257	18.6					
130MTW15030-48V	15.0			4.70	115.5	40		14.1	tba	tba					
180MTW16030-48V	16.0			5.00	123.0	42		12.6	257	18.6					
180MTW25030-48V	25.0			7.90	192.0	55		19.6	273	26					
80MTW01360-48V	1.3	6000	48	0.82	24.3	4	7200	2.5	tba	tba					
110MTW02060-48V	2.0			1.30	37.4	6		3.8							
80MTW02460-48V	2.4			1.51	44.9	7.5		4.5							
80MTW03360-48V	3.3			2.07	61.7	10		6.2							
110MTW04060-48V	4.0			2.50	74.8	12		7.5							
130MTW04060-48V	4.0			2.50	74.8	12		7.5							

# Motion Technologies Low Voltage Brushless DC motors

Full list of standard windings as of October 2017 (specials on request)

MotionTech Model	Rated					Maximum			Dim. B	Weight
	Torque (Nm)	Speed (RPM)	Voltage (V)	Power (KW)	Current (A)	Torque (Nm)	Speed (RPM)	Power (KW)	Nom. mm	Kg
110MTW06060-48V	6.0	6000	48	3.80	112.2	18	7200	11.3	tba	tba
130MTW06060-48V	6.0			3.80	112.2	18		11.3		
130MTW07760-48V	7.7			4.80	144.0	23		14.5		
130MTW10060-48V	10.0			6.30	187.0	30		18.8		

80MTW01310-72V	1.3	1000	72	0.14	2.4	4	2400	0.4	tba	tba
110MTW02010-72V	2.0			0.20	3.6	6		0.6		
80MTW02410-72V	2.4			0.25	4.4	7.5		0.8		
80MTW03310-72V	3.3			0.35	6.0	10		1.0		
110MTW04010-72V	4.0			0.40	7.3	12		1.3		
130MTW04010-72V	4.0			0.40	6.8	12		1.3		
110MTW06010-72V	6.0			0.60	10.9	18		1.9		
130MTW06010-72V	6.0			0.60	10.3	18		1.9		
130MTW07710-72V	7.7			0.80	13.2	23		2.4		
130MTW10010-72V	10.0			1.00	17.1	30		3.1		
180MTW12010-72V	12.0			1.30	21.0	30		3.1		
130MTW15010-72V	15.0			1.60	25.7	40		4.7		
180MTW16010-72V	16.0			1.70	27.0	42		4.2		
220MTW20010-72V	20.0			2.10	34.0	50		5.2		
180MTW25010-72V	25.0			2.60	43.0	55		6.7		
220MTW30010-72V	30.0			3.10	51.0	55		7.9		
180MTW36010-72V	36.0			3.80	62.0	70		9.4		
220MTW40010-72V	40.0			4.20	60.0	80		10.5		
180MTW50010-72V	50.0			5.20	86.0	110		13.1		
220MTW60010-72V	60.0			6.30	103.0	110		15.7		
220MTW100010-72V	100.0	10.50	171.0	200	26.2					

80MTW01320-72V	1.3	2000	72	0.7	4.0	4	2400	0.8	tba	tba
110MTW02020-72V	2.0			0.40	7.3	6		1.3		
80MTW02420-72V	2.4			0.50	8.0	7.5		1.5		
80MTW03320-72V	3.3			0.69	12.0	10		2.1		
110MTW04020-72V	4.0			0.80	14.5	12		2.5		
130MTW04020-72V	4.0			0.80	13.7	12		2.5		
110MTW06020-72V	6.0			1.30	21.8	18		3.8		
130MTW06020-72V	6.0			1.30	20.5	18		3.8		
130MTW07720-72V	7.7			1.60	26.3	23		4.8		
130MTW10020-72V	10.0			2.10	34.2	30		6.3		
180MTW12020-72V	12.0			2.50	41.0	30		6.3		
130MTW15020-72V	15.0			3.10	51.3	40		9.4		
180MTW16020-72V	16.0			3.40	55.0	42		8.4		
180MTW25020-72V	25.0			5.20	86.0	55		13.1		
180MTW36020-72V	36.0			7.50	123.0	70		18.8		
180MTW50020-72V	50.0			10.50	171.0	110		26.2		
220MTW100020-72V	100.0			20.90	342.0	200		52.4		

220MTW20025-72V	20.0	2500	72	5.20	86.0	50	3000	13.1	220	29
220MTW30025-72V	30.0			7.90	128.0	70		19.6	270	41.5
220MTW40025-72V	40.0			10.50	171.0	80		26.2	330	61.5
220MTW60025-72V	60.0			15.70	257.0	110		39.3	370	76

80MTW01330-72V	1.3	3000	72	0.41	7.1	4	3600	1.2	150	3
110MTW02030-72V	2.0			0.60	10.9	6		1.9	146	4.3
80MTW02430-72V	2.4			0.75	13.1	7.5		2.3	170	3.4
80MTW03330-72V	3.3			1.04	18.0	10		3.1	tba	tba
110MTW04030-72V	4.0			1.30	21.8	12		3.8	171	5.6
130MTW04030-72V	4.0			1.30	20.5	12		3.8	178	6.5
110MTW06030-72V	6.0			1.90	32.7	18		5.7	201	7.3
130MTW06030-72V	6.0			1.90	30.8	18		5.7	188	7.6

## Motion Technologies Low Voltage Brushless DC motors

Full list of standard windings as of October 2017 (specials on request)

MotionTech Model	Rated					Maximum			Dim. B	Weight
	Torque (Nm)	Speed (RPM)	Voltage (V)	Power (KW)	Current (A)	Torque (Nm)	Speed (RPM)	Power (KW)	Nom. mm	Kg
130MTW07730-72V	7.7	3000	72	2.40	39.5	23	3600	7.3	202	8.8
130MTW10030-72V	10.0			3.10	51.3	30		9.4	238	12
180MTW12030-72V	12.0			3.80	62.0	30		9.4	257	18.6
130MTW15030-72V	15.0			4.70	77.0	40		14.1	tba	tba
180MTW16030-72V	16.0			5.00	82.0	42		12.6	257	18.6
180MTW25030-72V	25.0			7.90	128.0	55		19.6	273	26
180MTW36030-72V	36.0			11.30	185.0	70		28.3	328	31

80MTW01360-72V	1.3	6000	72	0.82	16.2	4	7200	2.5	tba	tba
110MTW02060-72V	2.0			1.30	24.9	6		3.8		
80MTW02460-72V	2.4			1.51	29.9	7.5		4.5		
80MTW03360-72V	3.3			2.07	41.1	10		6.2		
110MTW04060-72V	4.0			2.50	49.9	12		7.5		
130MTW04060-72V	4.0			2.50	49.9	12		7.5		
110MTW06060-72V	6.0			3.80	74.8	18		11.3		
130MTW06060-72V	6.0			3.80	74.8	18		11.3		
130MTW07760-72V	7.7			4.80	96.0	23		14.5		
130MTW10060-72V	10.0			6.30	124.7	30		18.8		

80MTW01310-96V	1.3	1000	96	0.14	1.8	4	1200	0.6	tba	tba
110MTW02010-96V	2.0			0.20	2.7	5		0.6		
80MTW02410-96V	2.4			0.25	3.0	7.5		0.8		
80MTW03310-96V	3.3			0.35	4.5	10		1.0		
110MTW04010-96V	4.0			0.40	5.5	12		1.3		
130MTW04010-96V	4.0			0.40	5.1	12		1.3		
110MTW06010-96V	6.0			0.60	8.2	18		1.9		
130MTW06010-96V	6.0			0.60	7.7	18		1.9		
130MTW07710-96V	7.7			0.80	9.6	23		2.4		
130MTW10010-96V	10.0			1.00	12.8	30		3.1		
180MTW12010-96V	12.0			1.30	15.9	30		3.1		
130MTW15010-96V	15.0			1.60	19.2	40		4.7		
180MTW16010-96V	16.0			1.70	21.0	42		4.2		
220MTW20010-96V	20.0			2.10	27.0	50		5.2		
180MTW25010-96V	25.0			2.60	32.0	55		6.5		
220MTW30010-96V	30.0			3.30	38.0	70		7.9		
180MTW36010-96V	36.0			3.80	46.0	70		9.4		
220MTW40010-96V	40.0			4.20	51.0	80		10.5		
180MTW50010-96V	50.0			5.20	64.0	110		13.1		
220MTW60010-96V	60.0			6.30	77.0	110		15.7		
220MTW100010-96V	100.0			10.50	128.0	200		26.2		

80MTW01520-96V	1.3	2000	96	0.27	3.5	4	2400	0.8	tba	tba
110MTW02020-96V	2.0			0.40	5.5	6		1.3		
80MTW02420-96V	2.4			0.50	6.5	7.5		1.5		
80MTW03320-96V	3.3			0.69	9.0	10		2.1		
110MTW04020-96V	4.0			0.80	10.9	12		2.5		
130MTW04020-96V	4.0			0.80	10.3	12		2.5		
130MTW06020-96V	6.0			1.30	16.4	18		3.8		
130MTW06020-96V	6.0			1.30	15.4	18		3.8		
130MTW07720-96V	7.7			1.60	19.8	23		4.8		
130MTW10020-96V	10.0			2.10	25.7	30		6.3		
180MTW12020-96V	12.0			2.50	31.0	30		6.3		
130MTW15020-96V	15.0			3.10	38.5	40		9.4		
180MTW16020-96V	16.0			3.40	41.0	42		8.4		
180MTW25020-96V	25.0			5.20	64.0	55		13.1		
180MTW36020-96V	36.0			7.50	92.0	70		18.8		
180MTW50020-96V	50.0			10.50	128.0	110		26.2		
220MTW100020-96V	100.0			20.90	257.0	200		52.4		

OBSOLETE FOR REFERENCE ONLY

## Motion Technologies Low Voltage Brushless DC motors

Full list of standard windings as of October 2017 (specials on request)

MotionTech Model	Rated					Maximum			Dim. B	Weight
	Torque (Nm)	Speed (RPM)	Voltage (V)	Power (KW)	Current (A)	Torque (Nm)	Speed (RPM)	Power (KW)	Nom. mm	Kg
220MTW20025-96V	20.0	2500	96	5.20	64.0	50	3000	13.1	220	29
220MTW30025-96V	30.0			7.90	96.0	70		19.6	270	41.5
220MTW40025-96V	40.0			10.50	128.0	80		26.2	330	61.5
220MTW60025-96V	60.0			15.70	192.0	110		39.3	370	76

80MTW01330-96V	1.3	3000	96	0.41	5.3	4	3600	1.2	150	3
110MTW02030-96V	2.0			0.60	8.2	6		1.9	146	4.3
80MTW02430-96V	2.4			0.75	9.8	7.5		2.3	170	3.4
80MTW03330-96V	3.3			1.04	13.5	10		3.1	tba	tba
110MTW04030-96V	4.0			1.30	16.4	12		3.8	171	5.6
130MTW04030-96V	4.0			1.30	15.4	12		3.8	178	6.5
110MTW06030-96V	6.0			1.90	24.5	18		5.7	201	7.3
130MTW06030-96V	6.0			1.90	23.1	18		5.7	188	7.6
130MTW07730-96V	7.7			2.40	29.6	23		7.3	202	8.1
130MTW10030-96V	10.0			3.10	38.5	30		9.4	228	12
180MTW12030-96V	12.0			3.80	46.0	30		9.4	257	18.6
130MTW15030-96V	15.0			4.70	57.7	40		14.1	tba	tba
180MTW16030-96V	16.0			5.00	62.0	42		12.6	257	18.6
180MTW25030-96V	25.0			7.90	96.0	55		19.6	273	26
180MTW36030-96V	36.0			11.30	139.0	70		28.7	328	31
180MTW50030-96V	50.0			15.70	192.0	110		39.3	tba	tba

80MTW01360-96V	1.3	6000	96	0.82	10.2	4	7200	2.5	tba	tba
110MTW02060-96V	2.0			1.30	18.7	6		3.8	tba	tba
80MTW02460-96V	2.4			1.51	22.4	7.5		4.5	tba	tba
80MTW03360-96V	3.3			2.07	30.9	10		6.2	tba	tba
110MTW04060-96V	4.0			2.50	37.4	12		7.5	tba	tba
130MTW04060-96V	4.0			2.50	37.4	12		7.5	tba	tba
110MTW06060-96V	6.0			3.80	50.1	18		11.3	tba	tba
130MTW06060-96V	6.0			3.80	50.1	18		11.3	tba	tba
130MTW07760-96V	7.7			4.80	72.0	23		14.5	tba	tba
130MTW10060-96V	10.0			6.30	93.5	30		18.8	tba	tba

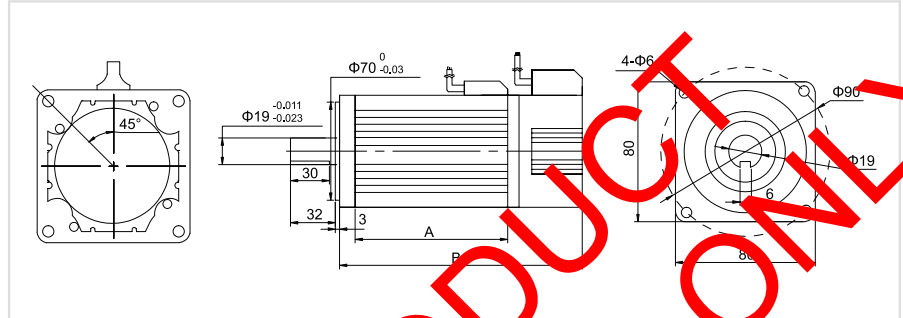
SUSPENDED PRODUCTION ONLY  
USE FOR REFERENCE ONLY



# Dimensions

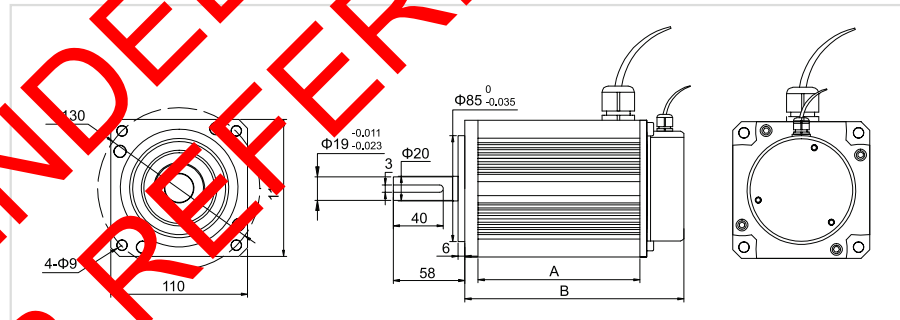
## 80 Frame: 0.4kw to 2.1kw

DC brushless motor



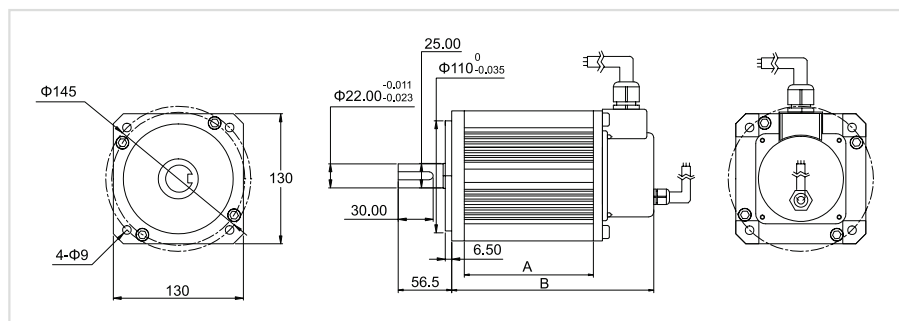
## 110 Frame: 0.6kw to 2.5kw

DC brushless motor



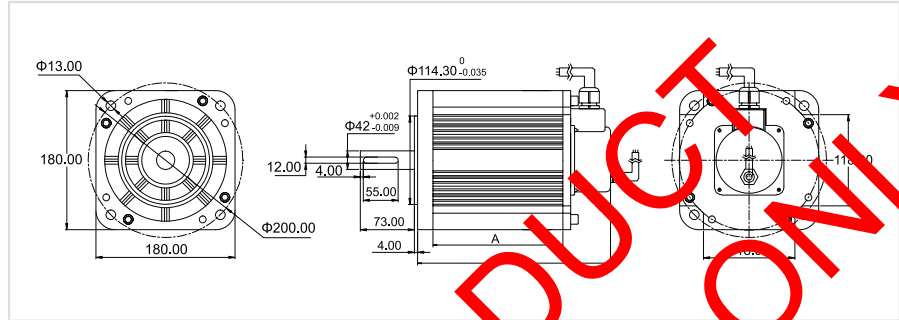
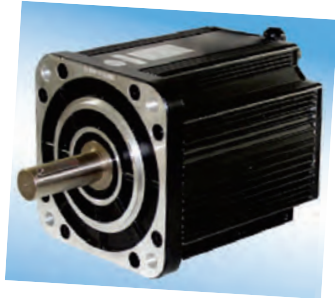
## 130 Frame: 1.3kw to 6.3kw

DC brushless motor



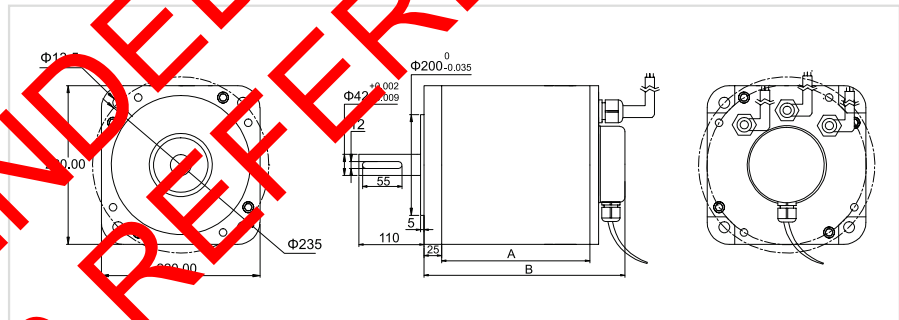
# 180 Frame: 3.1kw to 15.7kw

DC brushless motor



# 220 Frame: 5.2kw to 21.0kw

DC brushless motor



## Custom Design (on request)

- Output shaft
- Mounting flange
- Motor winding (current/speed/torque/voltage)
- Rear shaft
- Environmental sealing

# Motion Technologies LV Brushless DC Motor Controllers

**High performance series (summary)**.....see full data sheet at [http://www.motiontech.com.au/product\\_cat/speed-controllers/](http://www.motiontech.com.au/product_cat/speed-controllers/)

Model number	Nbr axis Channels	Volts DC Supply	Cont. Amps/Ch	Peak Amps/Ch	Sensorless FOC	Cooling	Frame	Analogue Inputs	Digital Inputs	G.P. Outputs	Pulse Inputs	Dimensions, mm										
MTS1330	1	30	20	30	No	Conduction plate	Open	6	6	2 @ 1.5A	4	70x70x27										
MTS2330S			40	60	Yes			8	10	4 @ 1.5A	8	123x83x25										
MTM1330			50	100	150			No	Heatsink extrusion	IP51	4	6	2 @ 1.5A	5	140x113x29							
MTM1330A								Yes			11	19	8 @ 1.0A	6	228x140x40							
MTH1630		60	50	20	30	No	Conduction plate	Open	6	6	2 @ 1.5A	4	70x70x27									
MTH1650														80	120	Yes	No	4 @ 1.5A	6	140x140x25		
MTS1360																					40	60
MTS2360S														100	150	No	8 @ 1.0A	6	228x140x40			
MTF2360S			300	500	Yes	11	19	8 @ 1.0A	6	228x140x40												
MTF2360AS											100	150	No	8	10	4 @ 1.5A	6	140x140x25				
MTM1660			260	350	Yes	4	6	2 @ 1.5A	5	140x113x29												
MTM1660A											100	150	No	11	19	8 @ 1.0A	6	228x140x40				
MTH1660			300	500	Yes	8	10	4 @ 1.5A	6	140x140x25												
MTRG1860											260	350	Yes	11	19	8 @ 1.0A	6	228x140x40				
MTH1672			100	150	No	Heatsink extrusion	IP51	11	19	8 @ 1.0A									4	228x140x40		
MTRG1872											260	350	Yes	Conduction plate	Open	8	10	4 @ 1.5A			6	140x140x25
MTH1696		100	150	No	Heatsink extrusion	IP51	11	19	8 @ 1.0A	6									228x140x40			
MTRG1896											200	300	Yes	Conduction plate	Open	8	10	4 @ 1.5A		6	140x140x25	
MTS2330		2	30	20	30	No	Heatsink extrusion	Enclosed IP51	11	19									8 @ 1.0A			4
MTH2330											50	75	No	Heatsink extrusion	IP51	11	19	8 @ 1.0A		4	228x140x40	
MTH2350	20																					
MTS2360											40	60	Yes	Conduction plate	Enclosed IP51	11	19	8 @ 1.0A		4	228x140x40	
MTF2360	50		75	No	Heatsink extrusion	IP51	11	19	8 @ 1.0A	4									228x140x40			
MTF2360A											72	96	No	Heatsink extrusion	IP51	11	19	8 @ 1.0A		4	228x140x40	
MTH2360	20		30	Yes	Conduction plate	Open	8	10	4 @ 1.5A	6									140x140x25			
MTH2372											40	60	Yes	Conduction plate	Enclosed IP51	11	19	8 @ 1.0A		4	228x140x40	
MTH2396	50		75	No	Heatsink extrusion	IP51	11	19	8 @ 1.0A	4									228x140x40			
MTH2396											96	144	No	Heatsink extrusion	IP51	11	19	8 @ 1.0A		4	228x140x40	

**Medium Performance series (summary)**.....see full data sheet at [http://www.motiontech.com.au/product\\_cat/speed-controllers/](http://www.motiontech.com.au/product_cat/speed-controllers/)

Model number	Min. Order Qty	Nbr Ch	Volts DC Supply	Cont. Amps	Peak Amps (time)	Cooling	EMC Environment	Regen braking outputs	Over voltage limit	Fan output	Dimensions, mm
EM316A	1	1	12-24	10	25 (2 secs.)	Heatsink extrusion	Industrial & Household	No	40VDC	No	89x73x20
EM346	1	1	12-24	10	25 (2 secs.)	Heatsink extrusion	Industrial & Household	Yes	40VDC	No	89x73x32
EM151B	1	1	12-32	20	40 (5 secs.)	Heatsink extrusion	Industrial only	No	38VDC	No	108x91x40
EM347	1	1	12-36	50	100 (2 secs.)	Heatsink extrusion	Industrial only	Yes	65VDC	Yes	140x122x50
EM347-48	1	1	24-48	40	80 (2 secs.)	Heatsink extrusion	Industrial only	Yes	65VDC	Yes	140x122x50

**Common features for EM series**

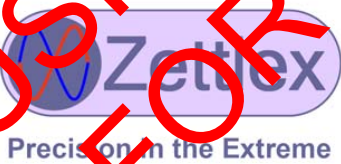
- Analogue input, 0-5 or 0-10V
- Open or closed loop speed control
- Open frame with optional DIN rail kit
- Optional programming device (EM236)
- 5VDC output
- Over voltage shutdown at 40V
- Dynamic braking
- NPN outputs for overcurrent and fault
- Optional enclosure kits available

SUSPENDED FOR REVIEW

# Other Motion Tech Products



**KOLLMORGEN**



**LinMot®**



**Distributors for Australia & New Zealand**

**MOTION TECHNOLOGIES PTY LTD**

24/22-30 Northumberland Road  
Caringbah NSW 2229 Australia  
Phone: (02) 9524 4782  
Fax: (02) 9525 3878

[sales@motiontech.com.au](mailto:sales@motiontech.com.au)  
[www.motiontech.com.au](http://www.motiontech.com.au)

© 16/04/18