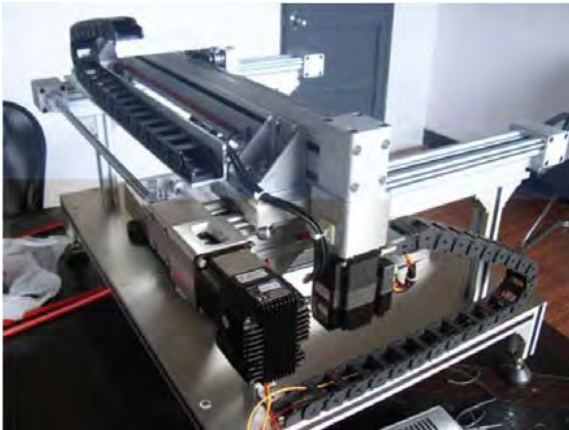




MOTION TECHNOLOGIES PTY LTD

BALL SCREW LINEAR MODULES



Motion Technologies

Ball Screw Linear Modules



Linear Modules, a motor-driven optimized modulated compound unit, is composed of ballscrews and linear guideways. The specialty of this compound unit is widely applied to the precision machinery, semiconductor equipment and other equipments with accurate positioning requirement.

1. Features

1). Multi-task design:

This stage integrates the features of driven ballscrew with guiding linear guideways. It can work with the optional accessories to be more convenient to the customers for apply easily.

2). Compact size and lightweight:

U-rail is not only with the function of guiding, but being a table, that lessen the installation space and reach the best ratio of stiffness to weight by the optimized structure of FEM analysis. the smooth positioning motion with low inertia can reduce the energy consumption.

3). High precision and high stiffness:

By implementing our persistence in professional processing and delicate design, linear stage shows its specialty on high precision and stiffness.

4). Easy to measure:

Easy to measure the function of positioning accuracy, positioning repeatability, moving parallelism, and starting toque.

5). Easy maintenance:

This stage is on dust-proof and moisture which make the maintenance easily and could be recycling after it is out of order.

Linear Modules

2. Models:



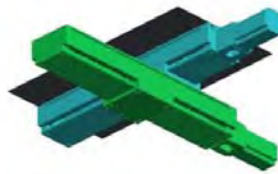
3. Construction:



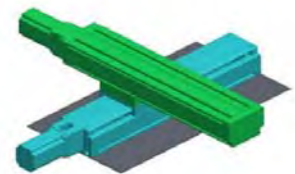
X-Y-01



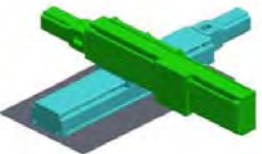
X-Y-02



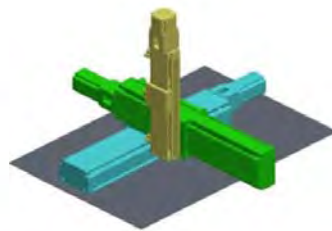
X-Y-03



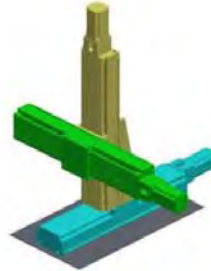
X-Y-04



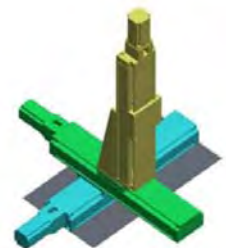
X-Y-05



X-Y-Z-01



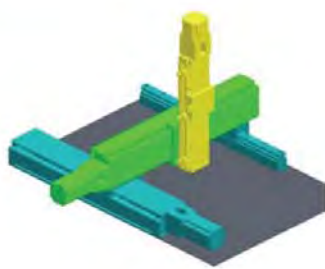
X-Y-Z-02



X-Y-Z-03



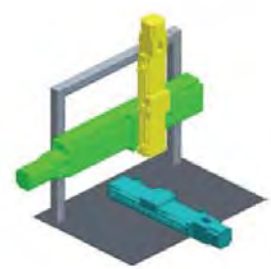
X-Y-Z-04



X-Y-Z-05



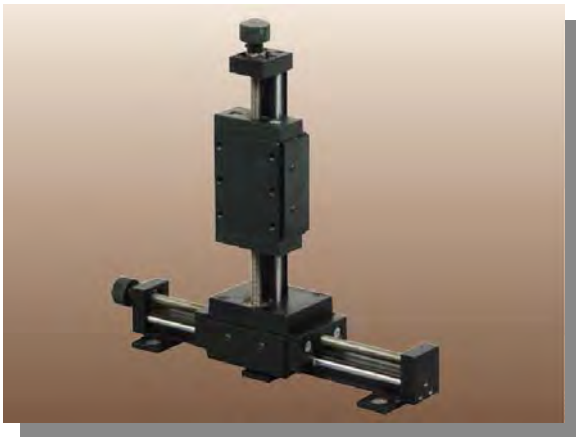
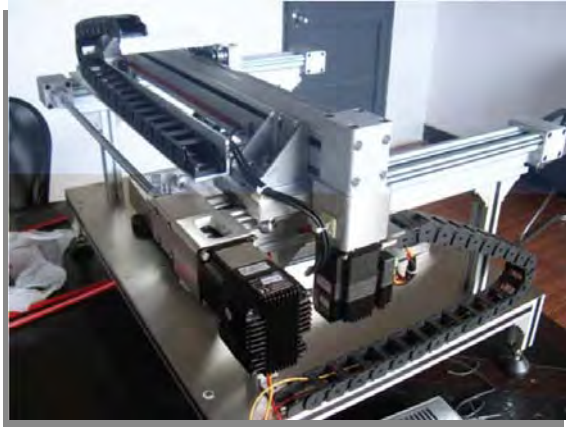
X-Y-Z-06



X-Y-Z-07



Linear Modules



1). LS-80 Series

(1). Basic Properties:



LS-80L (light load)

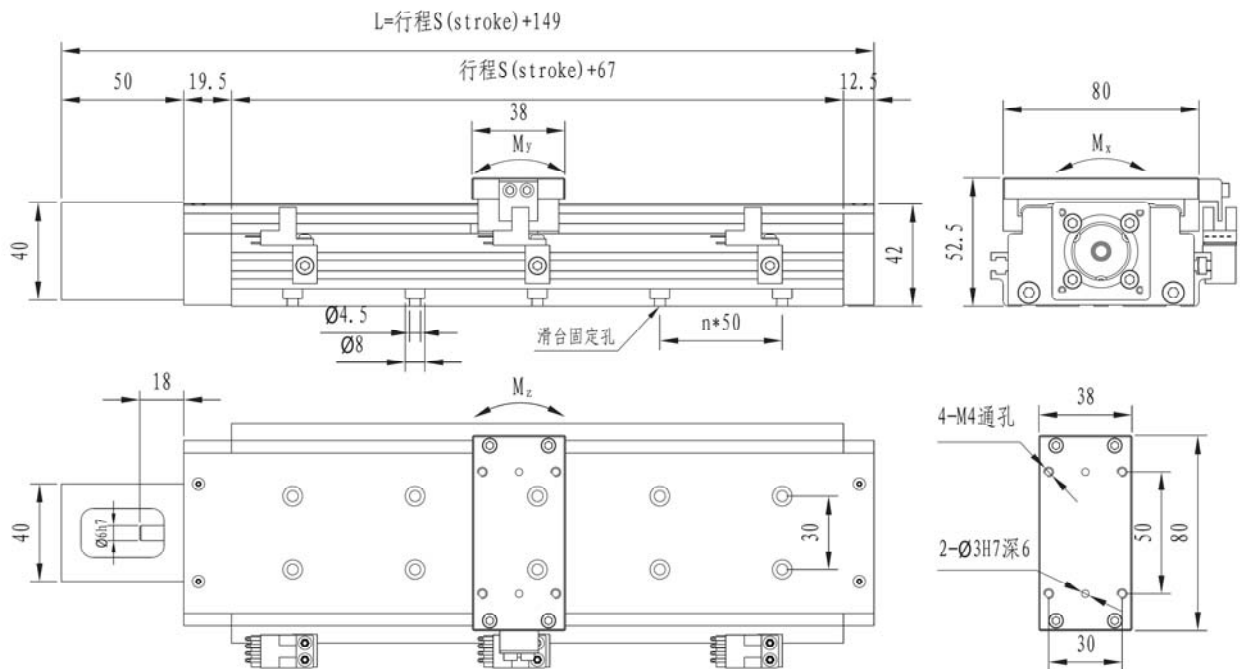


LS-80H (heavy load)

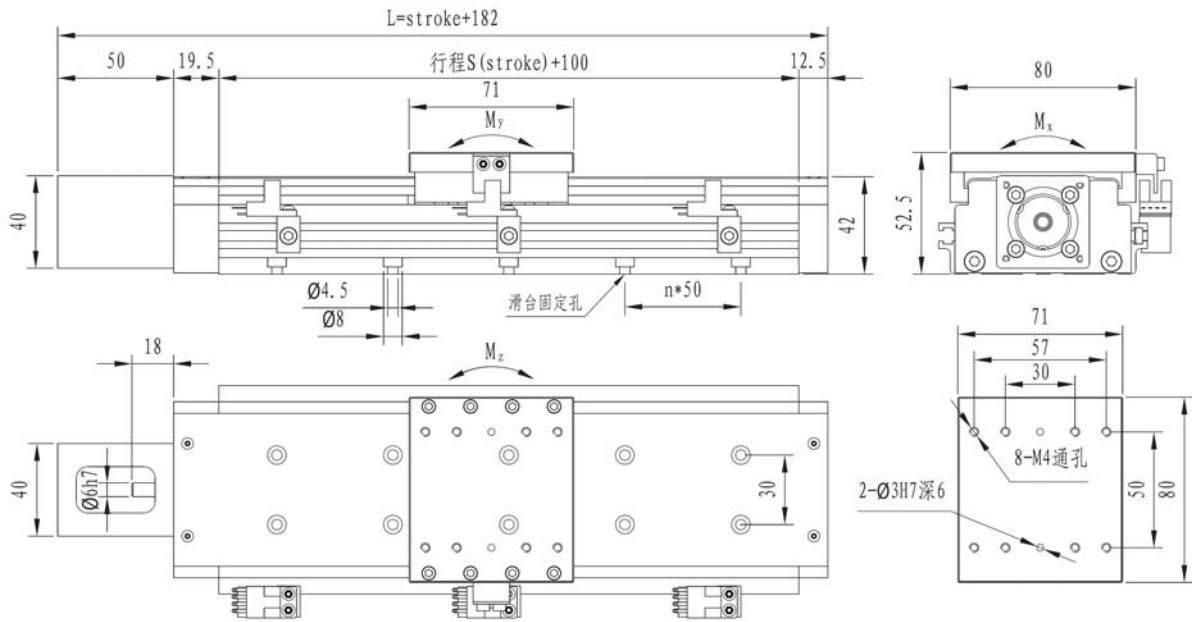
Transmission	Ballscrew- $\Phi 12$		
Rail Type	Square Rail CPC-R9		
Speed	Max. 500mm/s		
Repeating Accuracy	$\pm 0.02\text{mm}$		
Load Moment	LS-80L	Mx	50N.m
		My	80N.m
		Mz	50N.m
	LS-80H	Mx	80N.m
		My	90N.m
		Mz	90N.m
Max Stroke	600mm		

(2). Dimensions:

A. LS-80L



B. LS-80H



2). LS-110 Series

(1). Basic Properties:



LS-110G (round rail)

Transmission	Ball screw		
Rail Type	Shaft Rail with open linear bushing		
Speed	Max. 800mm/s		
Repeating Accuracy	±0.025mm		
Load Moment	LS110G	M_x	90N.m
		M_y	120N.m
		M_z	120N.m
Max Stroke	1500mm		

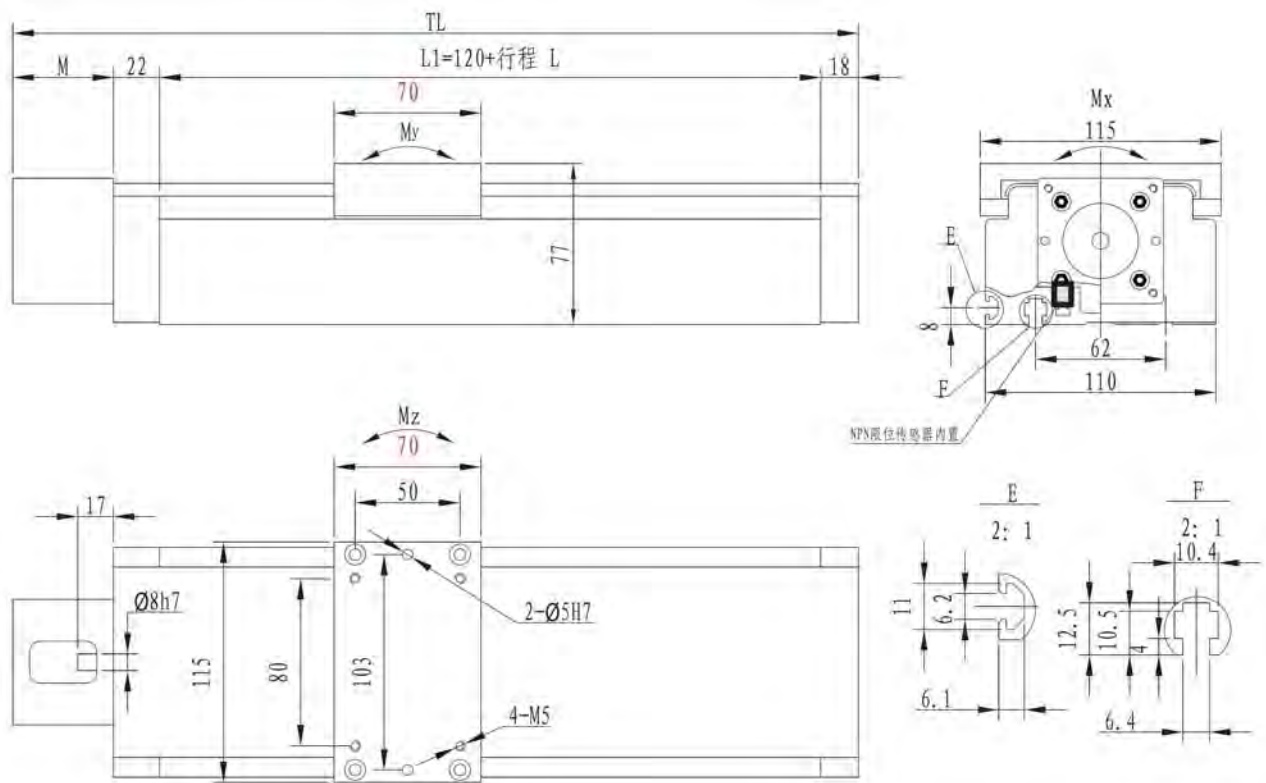


LS-110S (square rail)

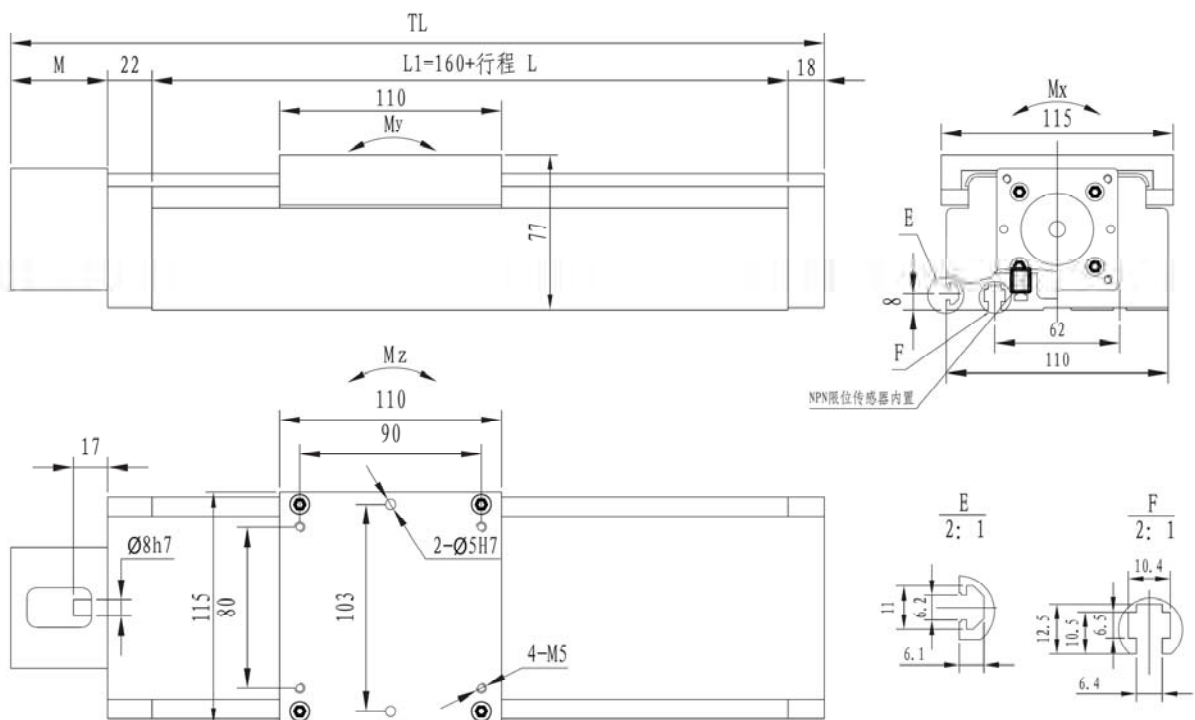
Transmission	Ball screw-Φ16		
Rail Type	Square Rail Linear Guideways:	Rail 12	
		Rail 15	
Speed	Max. 800mm/s		
Repeating Accuracy	±0.02mm		
Load Moment	Rail 12	M_x	235N.m
		M_y	205N.m
		M_z	235N.m
	Rail 15	M_x	450N.m
		M_y	330N.m
		M_z	450N.m
Max Stroke	1500mm		

Linear Modules

(2). Dimensions: A. LS-110G



B. LS-110S



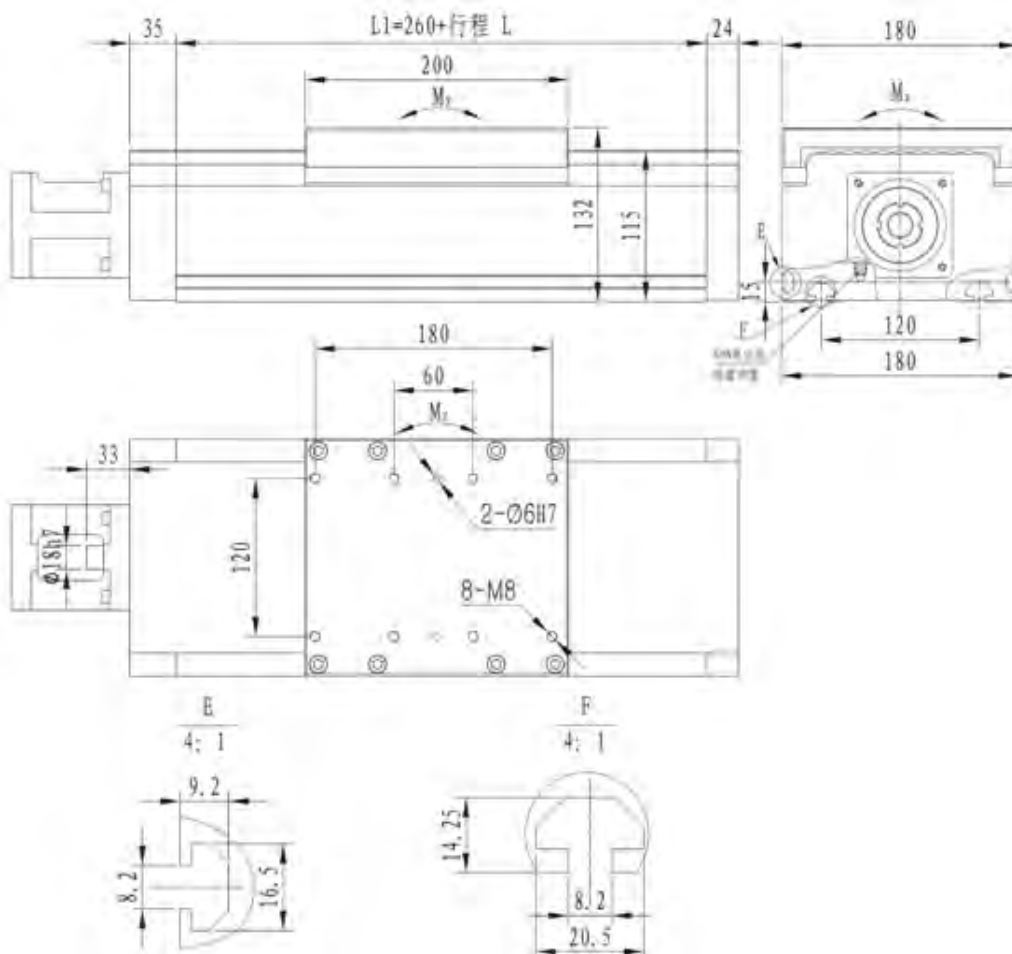
3). LS-180 Series

(1). Basic Properties:



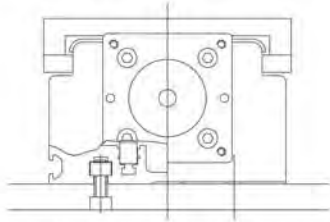
Transmission	Ballscrew-Φ25	
Rail Type	Square Rail 25	
Speed	Max. 1250mm/s	
Repeating Accuracy	±0.02mm	
Load Moment	Mx	1500N.m
	My	1800N.m
	Mz	2000N.m
Max Stroke	2500mm	

(2). Dimensions:



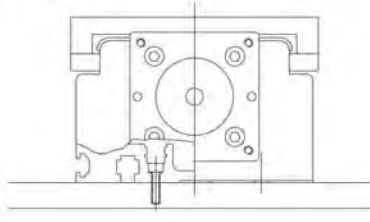
8. Assembling Ways

SA1: Screw Mounting



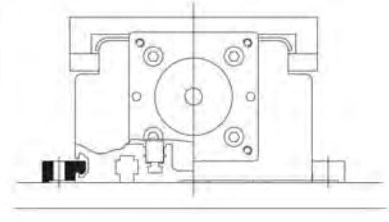
With M6 square nut at the bottom.

SA2: Inside Mounting

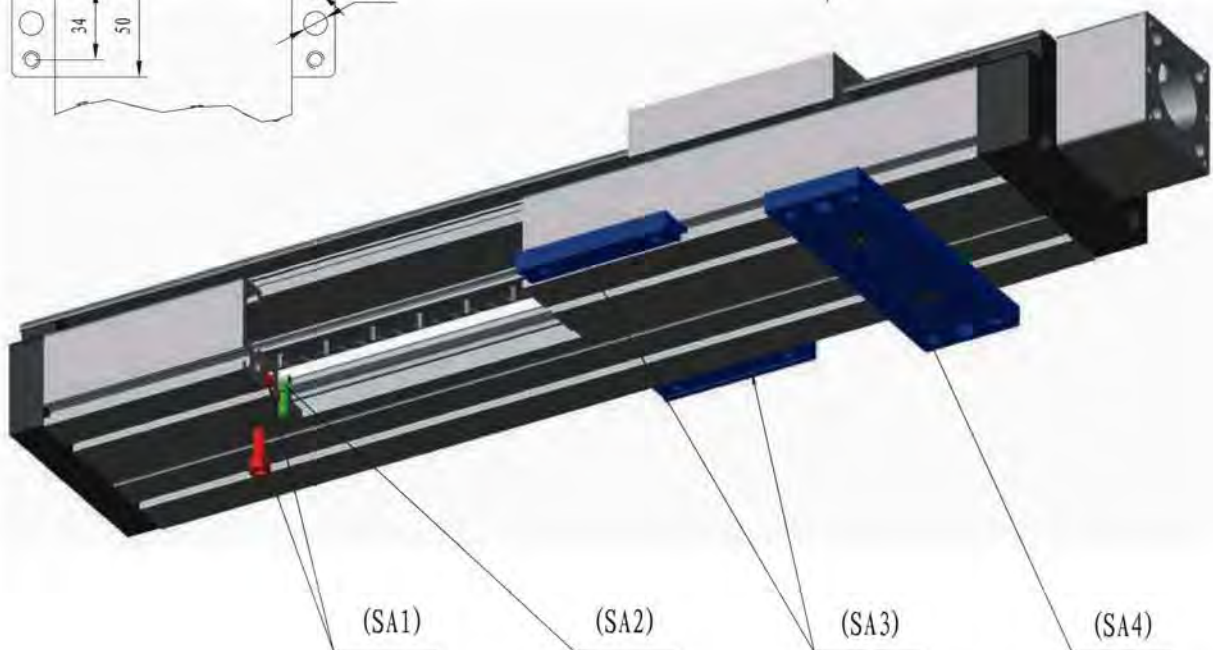
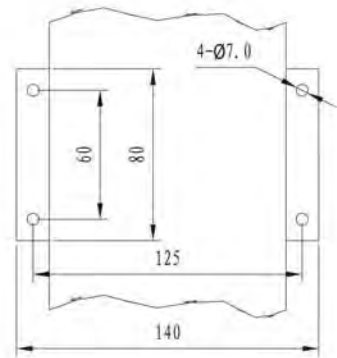
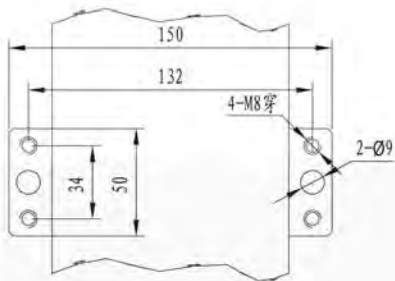
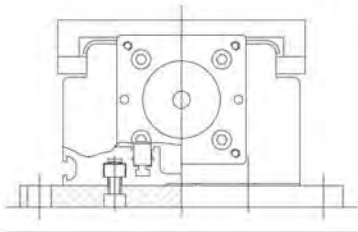


Sensors must be mounted outside.

SA3: Both Sides Pressed



SA4: With Additional Mounting Board



9. Motor Linking

MA1: linking with flexible coupling

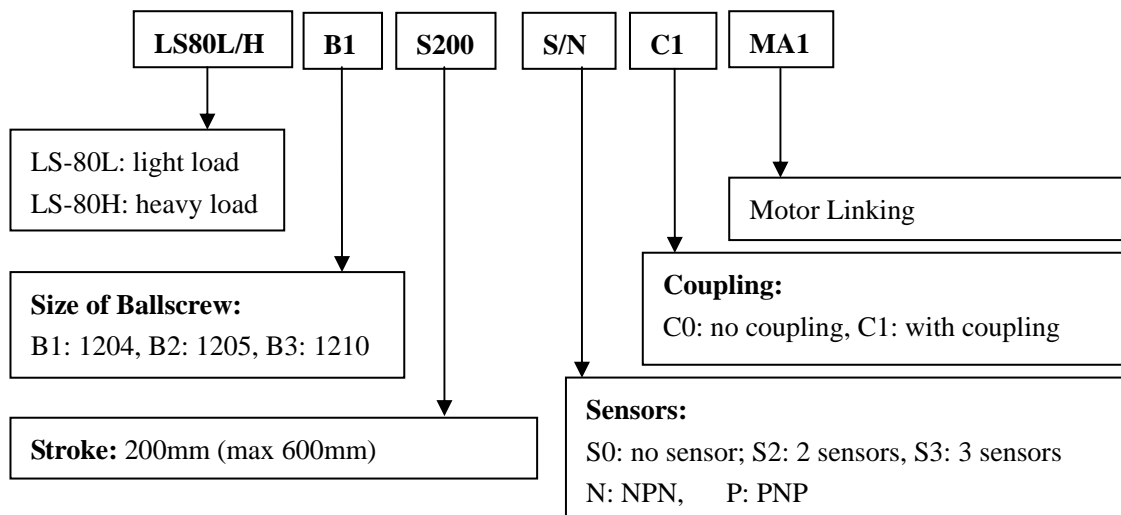


MA2: linking with belt pulley

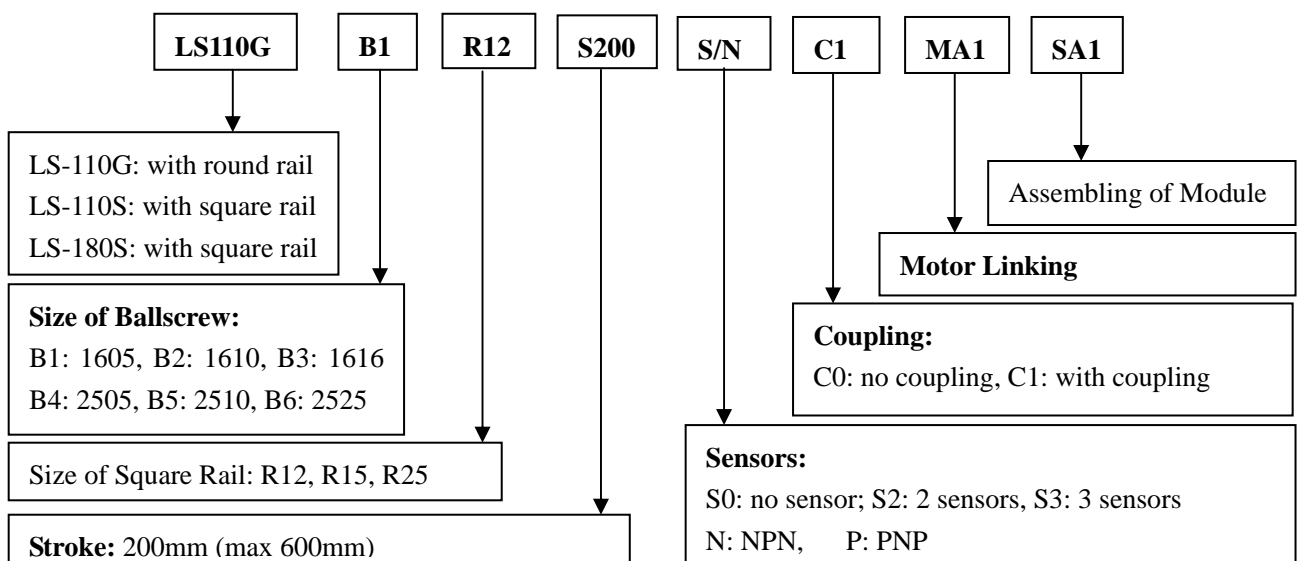


10. Ordering Code

1). For LS-80 Series:



2). For LS-110/LS-180S Series:



Other Motion Tech Products



Precision in the Extreme





Distributors for Australia & New Zealand

MOTION TECHNOLOGIES PTY LTD

24/22-30 Northumberland Road
Caringbah NSW 2229 Australia

Phone: (02) 9524 4782

Fax: (02) 9525 3878

sales@motiontech.com.au

www.motiontech.com.au

© 19/03/19