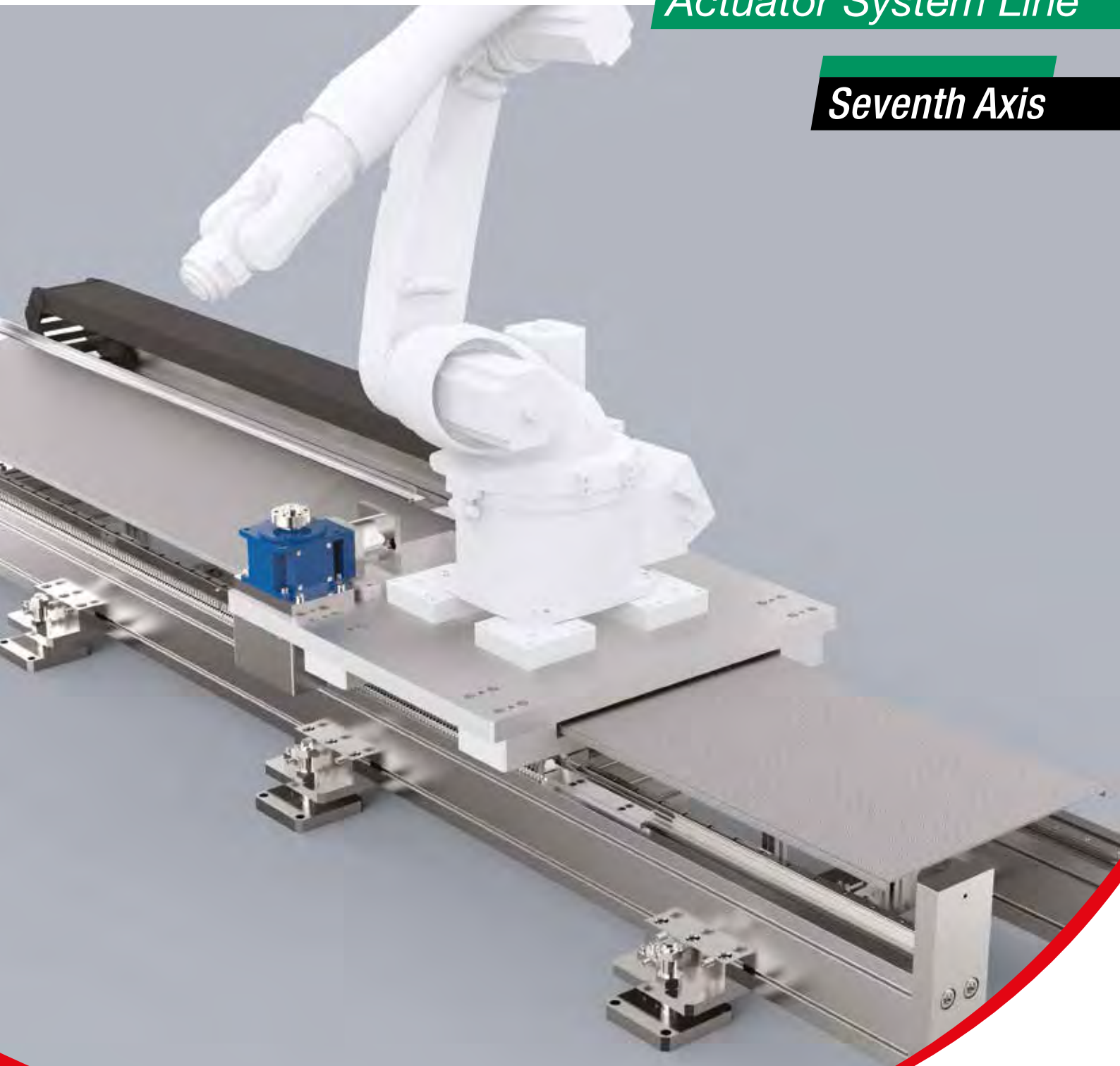


ROLLON[®]
Linear Evolution



Actuator System Line

Seventh Axis



www.motiontech.com.au

Product Overview
English

www.rollon.com

Seventh Axis

Advantages



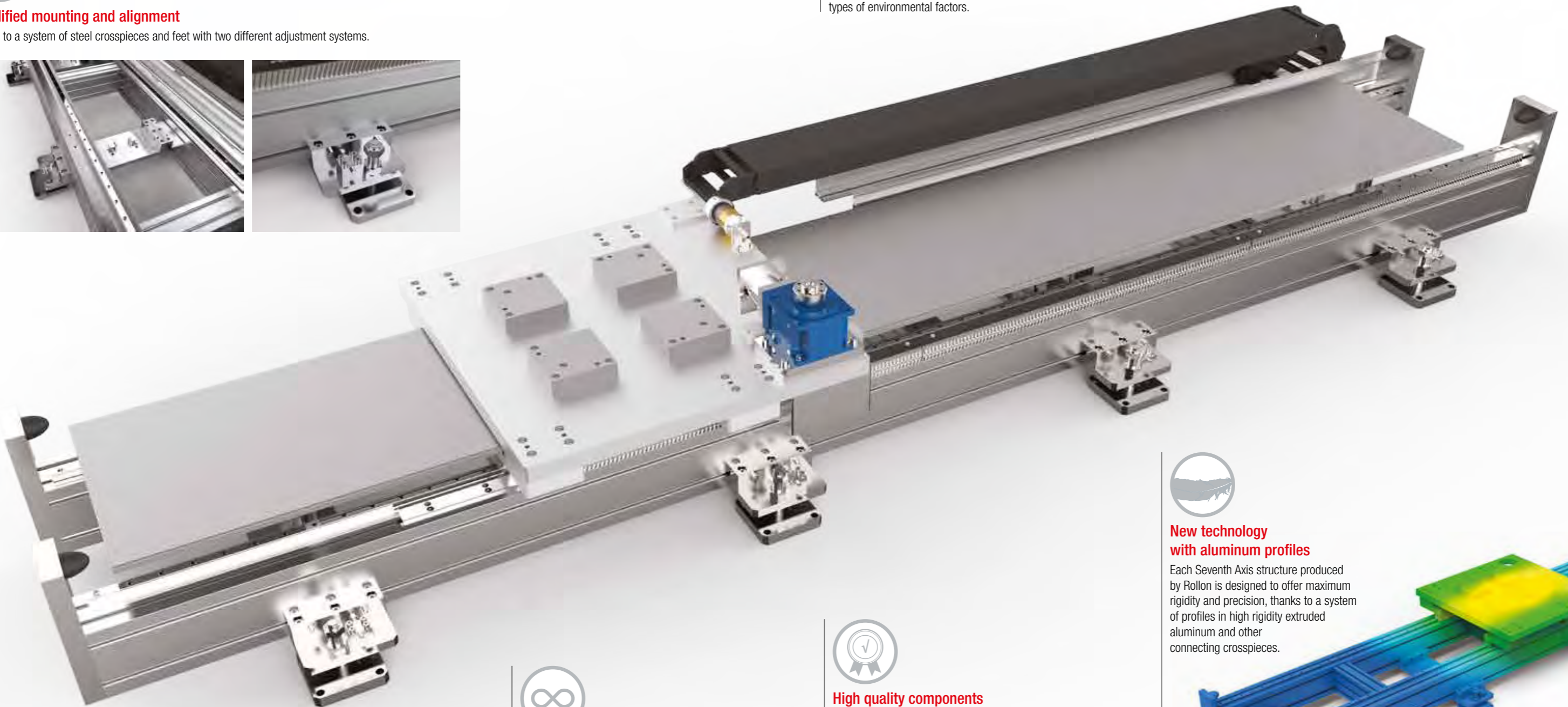
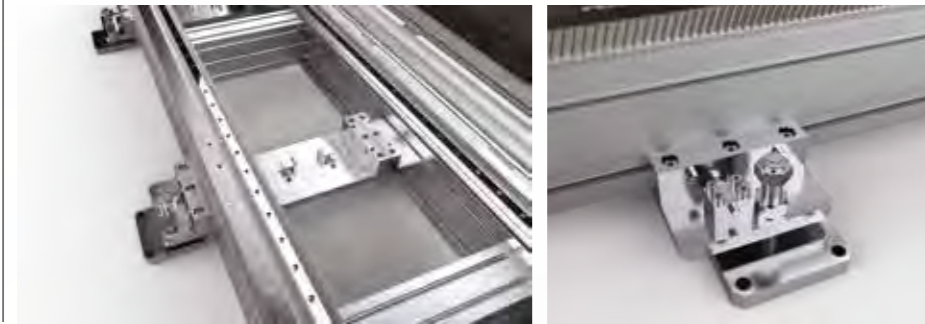
Increases the robot's range of motion.

By utilizing a shuttle system, a robot can be moved over long distances with a high dynamic range. Available in 7 different sizes, Rollon Seventh Axis is easy to integrate and can move any type of robot weighing up to 2000 Kg.



Simplified mounting and alignment

Thanks to a system of steel crosspieces and feet with two different adjustment systems.



Reliability backed by decades of experience

Seventh Axis by Rollon was created from 40 years of expertise in designing and producing linear motion systems.



Easily integrated with any type of robot

A complete range of 7 different sizes guarantees simple integration for any type of robot, weighing up to 2000 Kg.



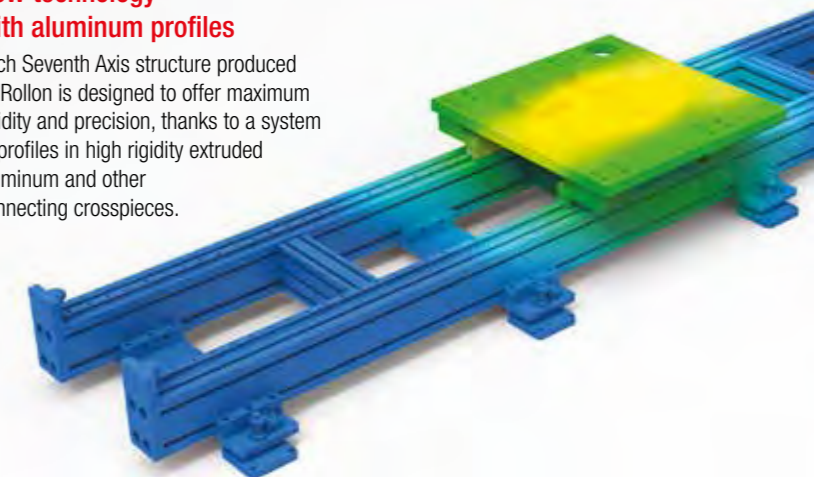
Protection for every work environment

The Seventh Axis can be configured with different options to protect it from different types of environmental factors.



New technology with aluminum profiles

Each Seventh Axis structure produced by Rollon is designed to offer maximum rigidity and precision, thanks to a system of profiles in high rigidity extruded aluminum and other connecting crosspieces.



Potentially infinite strokes

Thanks to jointable, self-centering inserts.

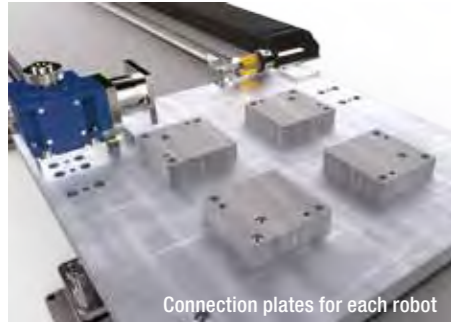


High quality components

Designed with carefully selected high quality components: tempered racks with helical teeth, rails with recirculating rollers and planetary or hypoid bevel gearboxes.

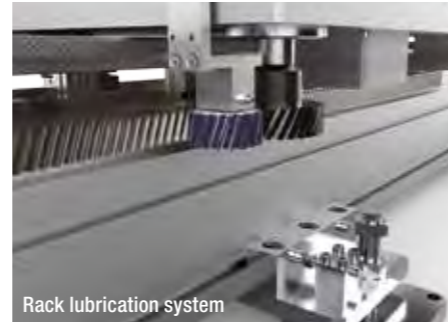
Seventh Axis

Components and Accessories



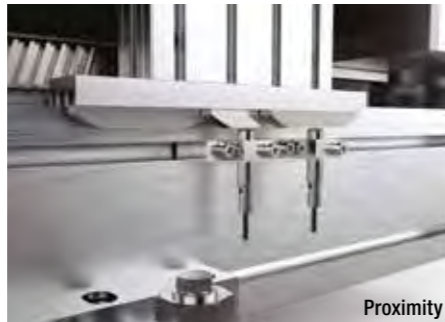
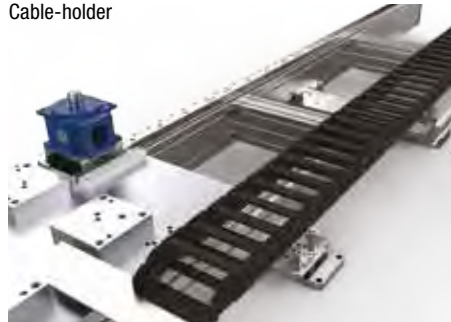
Connection plates for each robot

Rack lubrication system



Rack lubrication system

Cable-holder

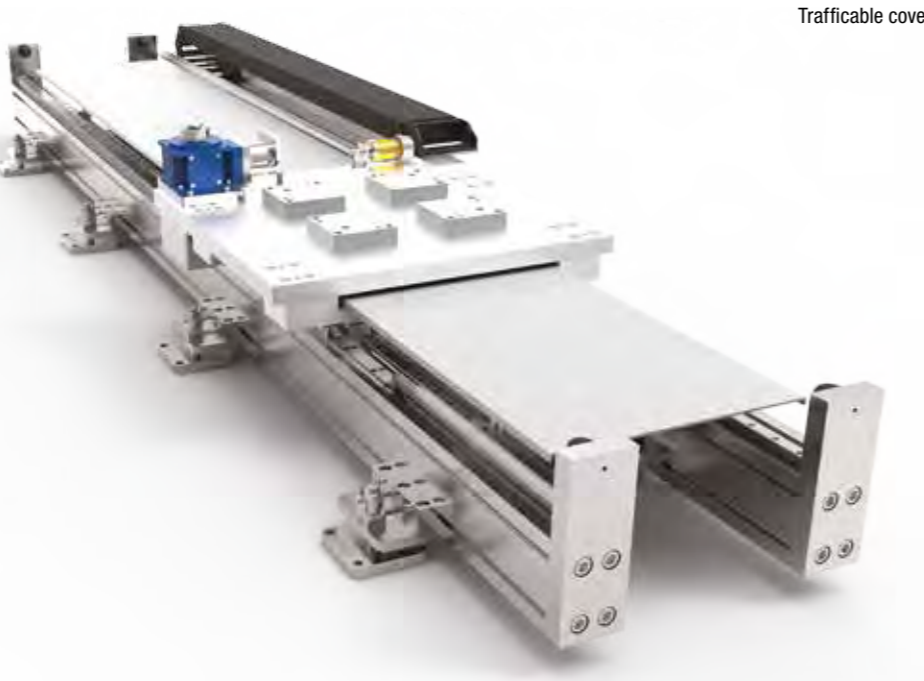


Proximity

Rubber/gas decelerators



Drive cover



Trafficable cover

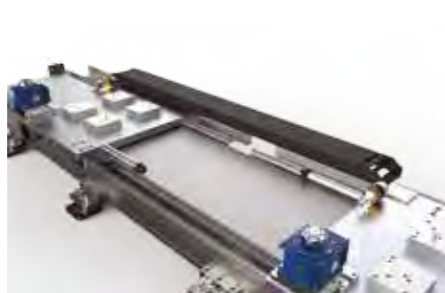


Drive / rail cover

Two types of gearboxes



Additional carriages with anti-collision systems



Rail lubrication



Examples of Applications



Palletisation



Automation of machine tools



Folding sheet metal



Welding



Gluing



Painting



Seventh Axis

Technical Features



Reference		Section		Drive		Anti-corrosion	Protection			Size	Number of profiles	Load capacity with high dynamics* [Kg]	Load capacity with low dynamics** [Kg]	Maximum speed [m/s]	Maximum acceleration [m/s ²]	Repeatability [mm]	Maximum stroke [mm]	Examples of Robots***	
Family	Product	Rollers	Ball Bearings	Rack	Belt		Drive	Drive and rails	Trafficable cover										
Seventh Axis	SEV220-1						√			220x100	1	15	50	3	4	+/-0,05	5000	MITSUBISHI RV-2S NACHI MZ04	
	SEV80-2						√	√		80x80	2	25	100	3	4	+/-0,05	5000	FANUC LR Mate 200 MITSUBISHI RV-SF, RH-3FH COMAU Rebel S6, Racer 5 NACHI MZ07	
	SEV280-1							√	√	√	170x280	1	50	300	3	4	+/-0,05	46000	ABB IRB120 FANUC LR MATE200iD KUKA KR6 Agilus MITSUBISHI RH20FH, RV-6F COMAU Racer 5
	SEV170-2							√	√	√	170x120	2	100	500	4	4	+/-0,05	46000	ABB IRB1600, IRB2600 FANUC M-10iA KUKA KR16, KR20 MITSUBISHI RV-7F, RV-20F COMAU Racer 7, SIX 6
	SEV220-2							√	√	√	220x120	2	300	800	4	4	+/-0,05	46000	ABB IRB260 FANUC M-20iA KUKA KR30 COMAU NS12, NJ16
	SEV280-2							√	√	√	280x170	2	500	1200	3	3	+/-0,05	46000	ABB IRB460 FANUC M-710iC KUKA KR30, KR60 COMAU NJ40, NJ60
	SEV360-2							√	√	√	360x200	2	800	2000	2	2	+/-0,05	46000	ABB IRB460, IRB6620 FANUC R2000iC 165F KUKA KR QuanteK 120-150 COMAU NJ130 2.6

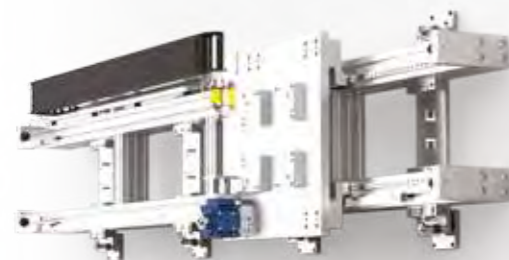
The data shown must be verified on the basis of the application.

* The values shown refer to the maximum dynamics reported in this table. The load capacities refer to floor mount version.

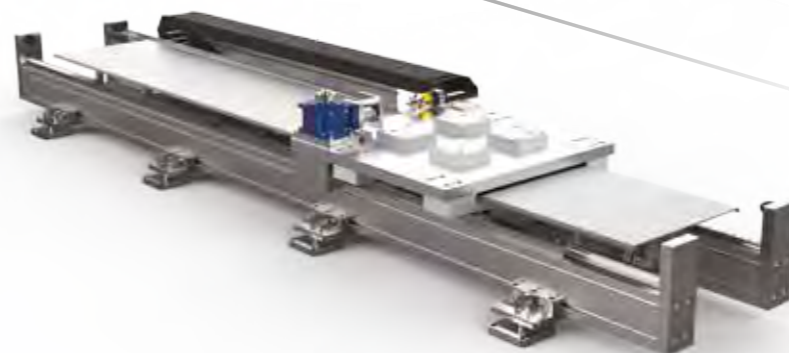
** The load capacities refer to floor mount version. For more information, contact the Rollon technical office.

*** Robot example mentioned are approximate. For a correct choice and size of the robot contact the Rollon technical office.

Mounting Options



Wall mount



Floor mount



Ceiling mount



ROLLON S.p.A. - ITALY

Via Trieste 26
I-20871 Vimercate (MB)
Phone: (+39) 039 62 59 1
www.rollon.it - infocom@rollon.it

● Rollon Branches & Rep. Offices
● Distributors

Branches:

ROLLON GmbH - GERMANY

Bonner Strasse 317-319
D-40589 Düsseldorf
Phone: (+49) 211 95 747 0
www.rollon.de - info@rollon.de

ROLLON B.V. - NETHERLANDS

Ringbaan Zuid 8
6905 DB Zevenaar
Phone: (+31) 316 581 999
www.rollon.nl - info@rollon.nl

Rep. Offices:

ROLLON S.p.A. - RUSSIA

117105, Moscow, Varshavskoye
shosse 17, building 1
Phone: +7 (495) 508-10-70
www.rollon.ru - info@rollon.ru

ROLLON S.A.R.L. - FRANCE

Les Jardins d'Eole, 2 allée des Séquoias
F-69760 Limonest
Phone: (+33) (0) 4 74 71 93 30
www.rollon.fr - infocom@rollon.fr

ROLLON Corporation - USA

101 Bilby Road. Suite B
Hackettstown, NJ 07840
Phone: (+1) 973 300 5492
www.rolloncorp.com - info@rolloncorp.com

ROLLON Ltd - UK

The Works 6 West Street Olney
Buckinghamshire, United Kingdom, MK46 5 HR
Phone: +44 (0) 1234964024
www.rollon.uk.com - info@rollon.uk.com

ROLLON Ltd - CHINA

No. 16 Jin Wen Road,
China, Shanghai, 201323
Phone: +86 21 5811 8288
www.rollon.cn.com - info@rollon.cn.com

ROLLON India Pvt. Ltd. - INDIA

1st floor, Regus Gem Business Centre, 26/1
Hosur Road, Bommanahalli, Bangalore 560068
Phone: (+91) 80 67027066
www.rollonindia.in - info@rollonindia.in

ROLLON - SOUTH AMERICA

R. Joaquim Floriano, 397, 2o. andar
Itaim Bibi - 04534-011, São Paulo, BRASIL
Phone: +55 (11) 3198 3645
www.rollonbrasil.com.br - info@rollonbrasil.com

ROLLON - JAPAN

3F Shiodome Building, 1-2-20 Kaigan, Minato-ku,
Tokyo 105-0022 Japan
Phone +81 3 6721 8487
info.japan@rollon.com - www.rollon.jp

Consult the other ranges of products



Distributor



Distributors for Australia & New Zealand MOTION TECHNOLOGIES PTY LTD

24/22-30 Northumberland Road
Caringbah NSW 2229 Australia
Phone: (02) 9524 4782
Fax: (02) 9525 3878

sales@motiontech.com.au
www.motiontech.com.au

© 19/03/19

All addresses of our global sales partners can also be found at www.rollon.com