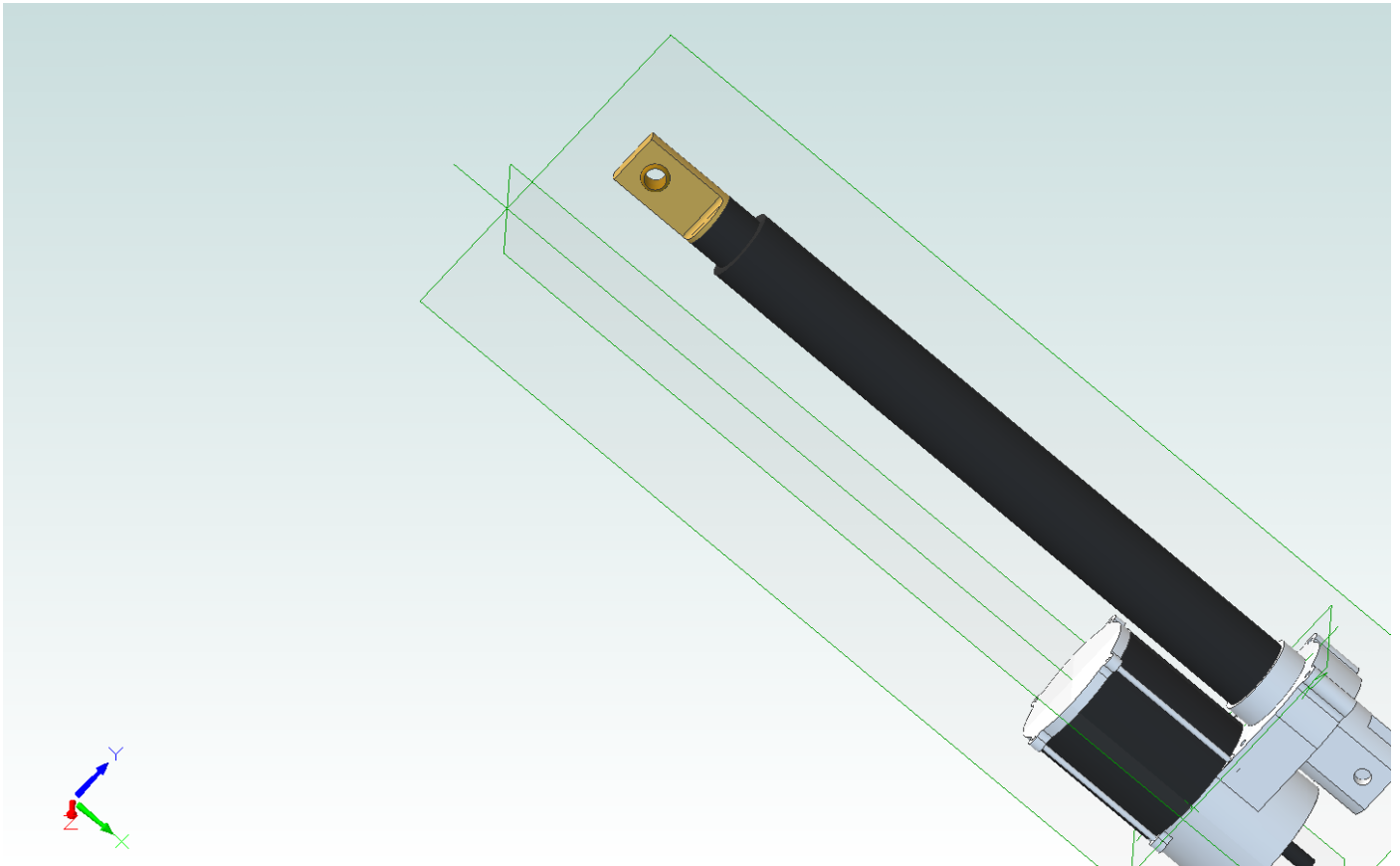




MOTION TECHNOLOGIES PTY LIMITED

Heavy Duty Commercial Grade Linear Actuator



Click image to activate 3D mode. This may not work when viewed in a browser so download the file and open using a pdf viewer.

New improved series 2 providing a low cost solution available from stock with AC or DC motors

'IJ2' SERIES INDUSTRIAL ACTUATOR

STANDARD FEATURES

- * Economical
- * Quiet operation
- * Up to 500kg static capacity
- * Self-aligning rod end on acme screw versions
- * Weather-resistant TENV motors (approx. IP54)
- * Screw lead 5.08" (both acme and ball screw)
- * Integral individually adjustable top and bottom limit switches for <= 610mm strokes (longer strokes require external limit switches)
- * Ball screw version has extra trunnion bearings
- * Ideal for high force, low duty cycle applications
- * Corrosion resistant
- * Fully repairable
- * Brushed DC PM motors
- * 4 pole AC motor (1400 rpm) c/with integral capacitor and thermal protection
- * Self-locking acme screw
- * Integral load holding brake for ball screw versions
- * Precision ball thrust bearings
- * 20:1 gear ratio
- * Customisation is readily achieved

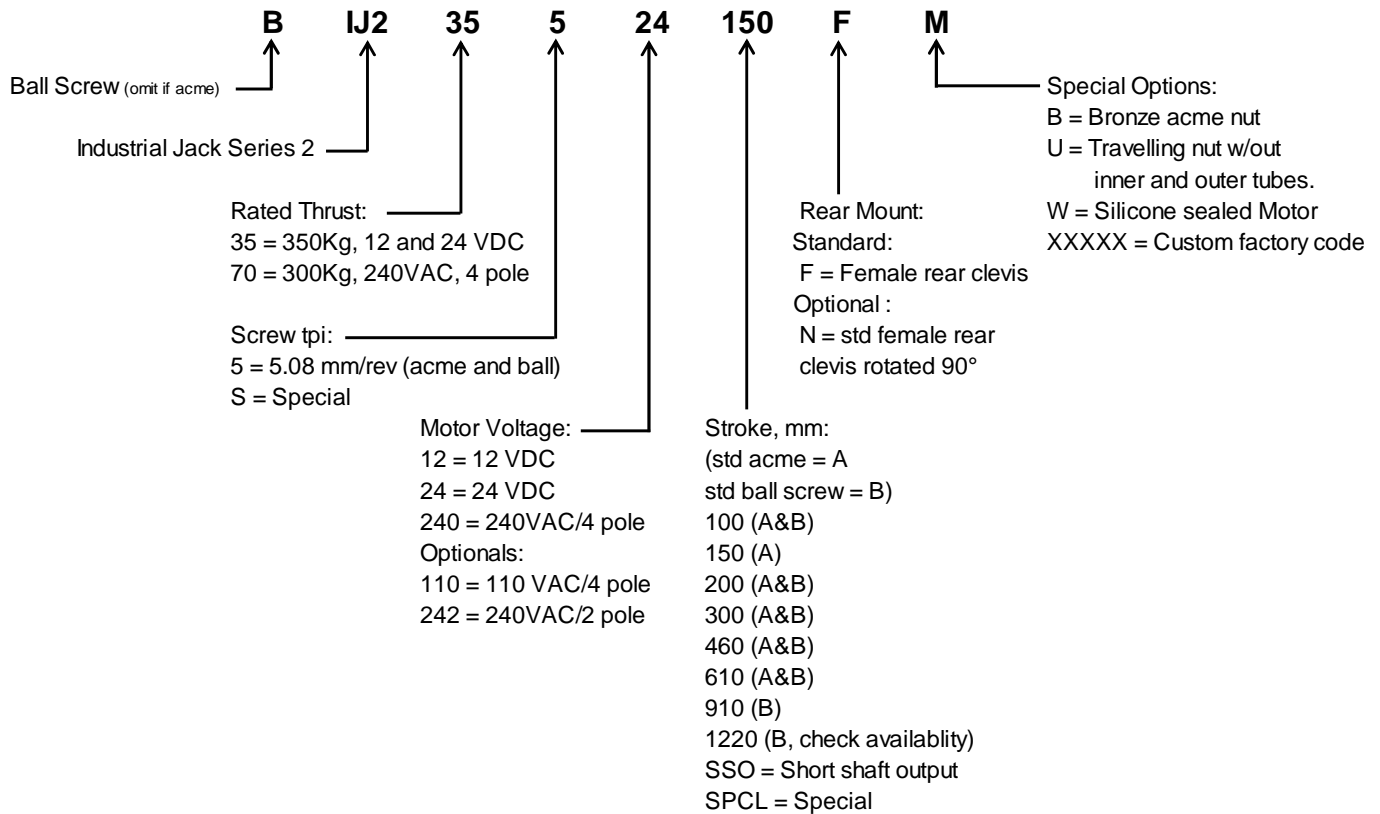
OPTIONAL FEATURES

- * Bellows boot rod protection
- * Optional screw thread leads
- * Stepper motors, servo motors, brushless motors
- * Silicone sealed motors (approx. IP65)
- * Potentiometer position feedback
- * Wide choice of optional screw leads
- * 2 pole AC motor (double speed, half thrust)
- * DC speed controllers, click [here](#) for separate catalogue.
- * Bronze acme screw nut
- * Rotatable rear clevis
- * Custom rod ends
- * IP65 cable gland
- * Custom strokes
- * Output shaft version (without lift screw)
- * Travelling nut design

APPLICATIONS

Agricultural equipment:	Silage chutes, conveyors, transmission shifter, tractor accessory lifts, belt tensioner, spray broom operator, automatic gate opener, remote throttle controller.
Industrial Equipment:	Belt speed and tension controls, flue and draft controls, table lifts, hatch covers, ventilator controls, valve actuators, window operators, clamping, damper controls, variable pump controllers, fluid coupling controllers.
Medical Equipment:	Hospital beds, dental chairs, examination tables, invalid lifts.
Materials Handling:	Container tippers, dumper chute doors, elevators, barrel lift, conveyor gate diverter.
Office Equipment:	Computer terminal desks, chairs, drafting tables.

MODEL NUMBER DESIGNATION



IJ2 PERFORMANCE DATA

- DC actuators:
- 1) Rated max thrust = 350 kg
 - 2) Travel rate = 10 mm/sec max.
 - 3) Current draw =
24vDc ~ 6 amps max.
12vDC ~ 12 amps max.
 - 4) Rated duty cycle = 25%

- AC Actuators:
- 1) Rated max thrust = 300 kg
 - 2) Travel rate = 5 mm/sec max.
 - 3) Current draw = 6 amps at rated load
 - 4) Rated at 220VAC ±10%, 1 phase, 50Hz, 0.75A, 58 Watts
 - 5) Rated duty cycle: On time 1 min., off time 9 min.
 - 6) Motor run time must be considered with respect to stroke.
 - 7) Supplied with 400mm long 4C cable

Notes:

- 1) Column strength capacity must be considered for compressive loads, especially for long stroke applications.
- 2) Load and rotor inertia may cause coasting when motor is turned off.
- 3) Do not use physical hard stops at end of travel as non-warrantable damage is possible. It is recommended to always use limit switches to stop travel at the required stroke.
- 4) Models with long strokes may exceed rated duty cycle within a single stroke.

✚ HOW TO SET LIMIT SWITCHES

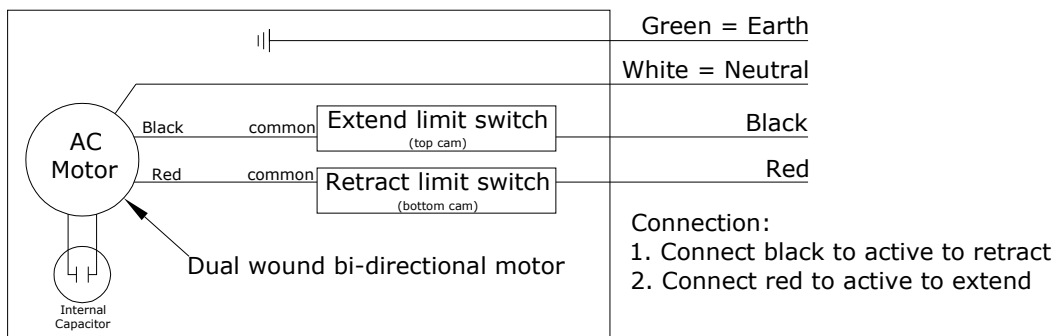
These procedures must be followed for warranty to apply.

Limit switch settings as supplied are not guaranteed unless requested at time of order.

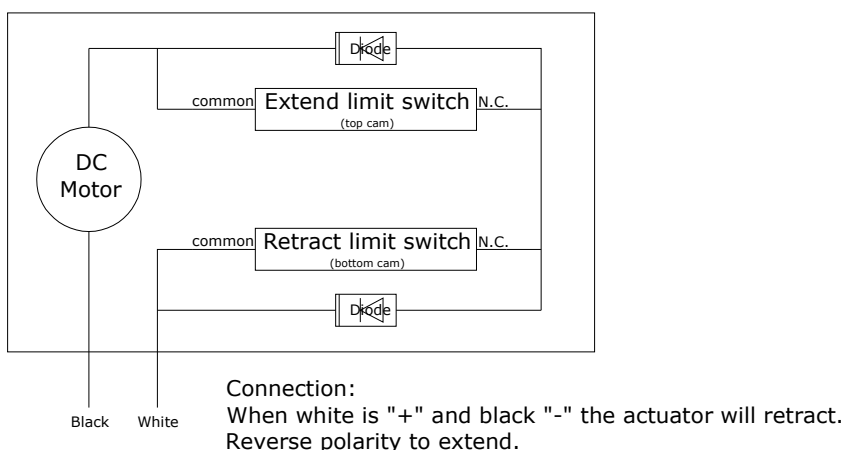
- Step 1: Power actuator to retract. Allow rod to rotate till retract limit turns motor off.
- Step 2: Screw rod in/out by hand until the desire start point is reached. At least three full extending turns of rod from fully mechanical retracted position is recommended.
- Step 3: Restrain rod from rotating for remaining steps. Do not use a screw driver or the like through the rod clevis as accidental over-travel may cause harm to operator.
NOTE: Do not manually rotate the rod after this step.
- Step 4: Power jog actuator to extend to desired stroke and stop by switching jog power supply off.
- Step 5: Remove rear cover and loosen top cam. Rotate top cam until switch activates. Tighten cam locking screw. Warning, do not over-tighten as non-warrantable damage can result.
- Step 6: Replace cover
- Step 7: Test cycle actuator before installing and re-adjust if necessary.

✚ CONNECTION DIAGRAMS

A) AC motors:



B) DC motors:

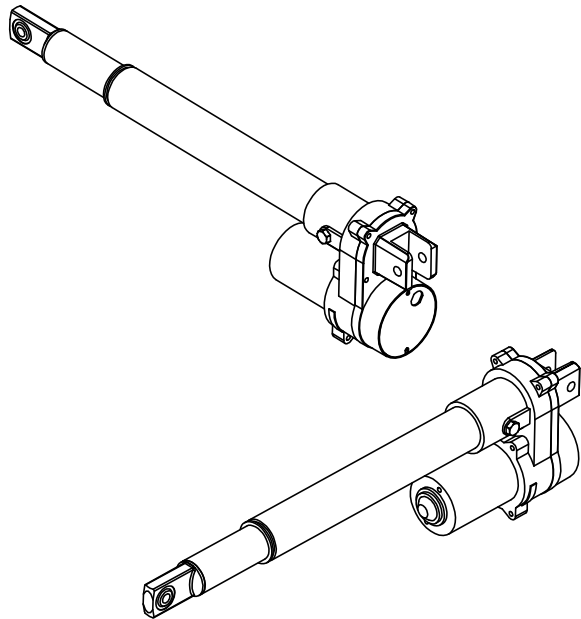
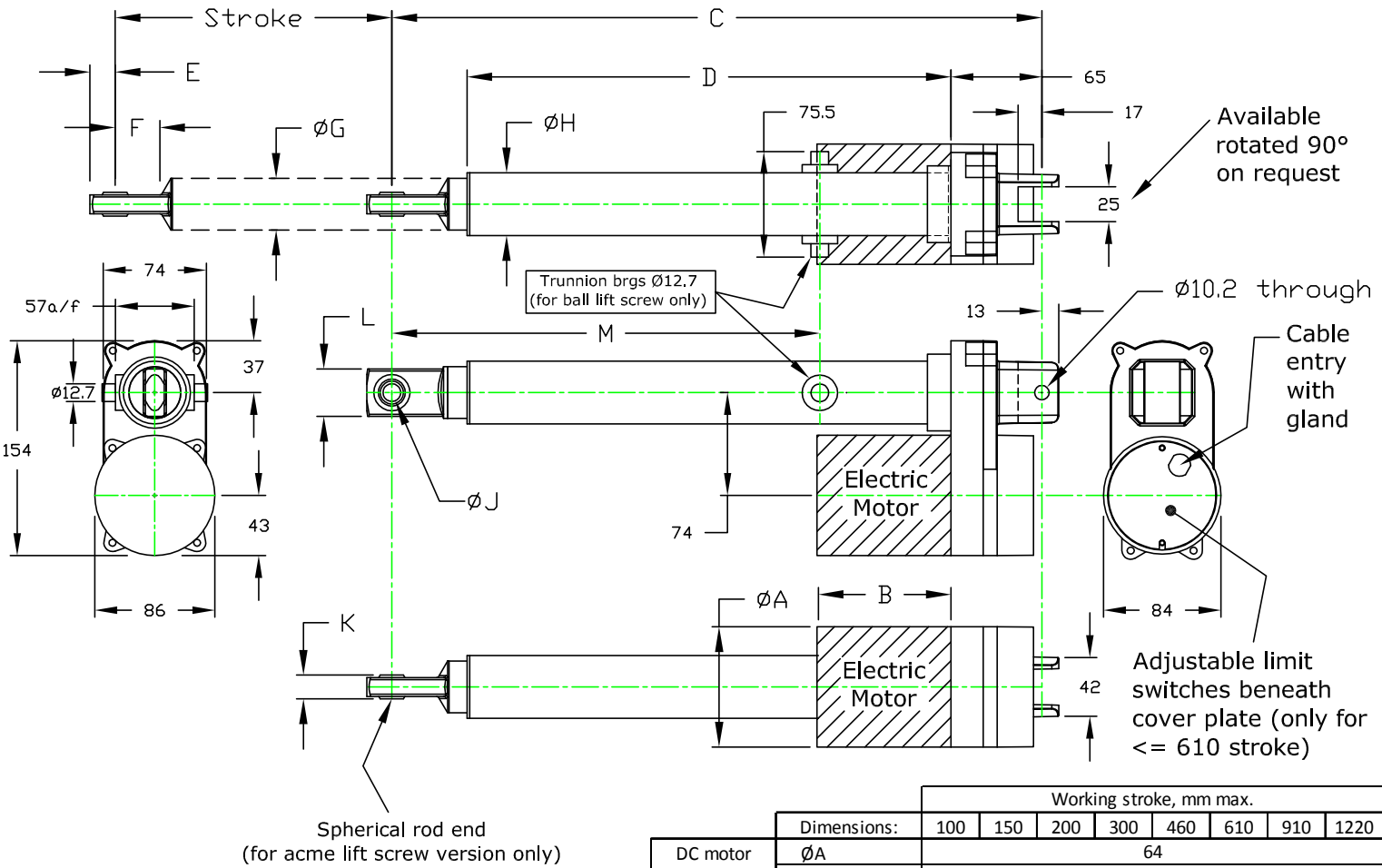


This document is subject to Copyright and its contents are not to be copied or transcribed in part or full without the written permission of Motion Technologies Pty Limited (ABN 40 088 351 900). Also, any Intellectual Property contained herein remains that of Motion Technologies Pty Limited and is supplied in Confidence for use between the party supplied to and Motion Technologies Pty Limited. This includes concept sketches, proposed component configurations and any data or information which is to be kept Confidential and not disclosed in part or full to any 3rd parties without written permission. Receipt of this document is acceptance of these conditions of supply. If these conditions are not agreed to then you must advise Motion Technologies Pty Limited immediately by fax or email and delete/destroy all soft and/or hard copies received.

DO NOT SCALE - IF IN DOUBT, ASK.

REVISION HISTORY

REV	DATE	DETAILS	BY/APPD



Working stroke, mm max.

Dimensions:	Working stroke, mm max.								
	100	150	200	300	460	610	910	1220	
DC motor (12 or 24 volt)	ØA		64						
	B		118						
AC motor (240 volt)	ØA		86						
	B		96						
Acme lift screw	C	338	388	438	538	698	848	Not available	
	D	215	265	315	415	575	725		
	E	18							
	F	32							
	ØG	37							
	ØH	45							
	ØJ	12.7							
	K	17							
	L	35							
	Approx kg	5	5.2	5.5	6	6.5	7		
Ball lift screw	C	382	n/a	483	584	787	939	1244	1550
	D	295		396	497	700	850	1155	1460
	E	12.7							
	F	19							
	ØG	44.5							
	ØH	51							
	ØJ	13.1							
	K	14.3							
	L	25.4							
	M (retracted)	223.5	n/a	325.1	426.7	629.9	782.3	604.5	737.6
Approx kg	7	7.5		8	9.5	10	13	15	

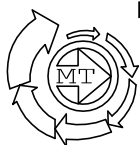
CAD DWG - NO MANUAL REVISION.

THIS DRAWING is the CONFIDENTIAL PROPERTY of Motion Technologies Pty. Limited ABN 40 088 351 900. IT IS ISSUED ON CONDITION THAT IT IS NOT COPIED, REPRODUCED OR DISCLOSED TO ANY THIRD PARTY EITHER WHOLLY OR IN PART WITHOUT THE WRITTEN CONSENT OF Motion Technologies Pty. Limited. © 2018

GENERAL TOLERANCES (Unless otherwise noted):

Whole: ± 0.5mm
 Decimal: ± 0.1mm
 Angular: ± 0.25 deg.

Break ALL sharp corners and remove burrs & swarf.
 All machining & fabrication to meet relevant Australian standards



Motion Technologies Pty Limited
 ABN 40 088 351 900

Unit 24, 22-30 Northumberland Road,
 CARINGBAH
 (P.O. Box 2461 Taren Point)
 NSW 2229 Australia

Phone (02) 9524 4782 Fax (02) 9525 3878

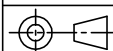
email: info@motiontech.com.au

Drn: JWC Date: July 2018

E. & O. E.

MACHINED FINISH:

3.2/
 √UON



All Dimensions in mm unless otherwise noted
 Third Angle Projection - AS 1100

TITLE

IJ2 Actuator Sales General Arrangement

All dimensions and details subject to change without notice.

A 4

DWG No: IJ2_Sales

REV No:

SCALE: None

SHEET 1 of 1

Other Linear Actuators

Model	Haydon Kerk	LEA3	IJ2	Linearmech
				
Details				
Acme/Trapezoidal Screw	Std	Std	Std	Std
Ball Screw	N/A	N/A	POA	POA
Self locking	Y	Y	Y	Y
Standard IEC motors available	N	N	N	Y
DC motor volts	2 to 12	12, 24 (36 POA)	24 (others POA)	12 & 24 (other POA)
240 VAC Single Phase	N	N	Y	Y
415VAC Three Phase	N	N	N	Y
Servo or Stepper options	Stepper only	Stepper	Both	Both
Stroke (mm)	< 500	< 300	< 1200	< 800
Requires anti-rotation guide	Opt	N	Y	Y
Built in Limit Switches	N	Y	Y	Opt
Adjustable Limit Switches	N	Y (factory set)	Y	Y
Compression Switch	N	N	N	N
Base material	Aluminium	Anodised Aluminium	Aluminium	Aluminium
Outer Tube material	N/A	Aluminium	Powder coated steel	Aluminium
Rod Material	N/A	Anodised Aluminium	Powder coated steel	S/S
Double clevis mount	N/A	Y	Y	Y
Standard IP rating	IP44	IP65	IP44	DC: IP54 AC: IP55
Speeds (mm/sec)	up to 130	6 to 45	5 to 8	2 to 100
Local availability	indent	stocked	stocked	limited
Duty	light industrial	light economy	medium economy	medium commerical

Other Linear Actuators

Servomech	Cosmic	Pfaff ALS	Model
			
			Details
Std	Std	Y	Acme/Trapezoidal Screw
Std	Std	Y	Ball Screw
Y	brake option	Y	Self locking
Y	N	Y	Standard IEC motors available
12 & 24 (other POA)	on application	on application	DC motor volts
Y	Y	Y	240 VAC Single Phase
Y	Y	Y	415VAC Three Phase
Both	(on request only)	Both	Servo or Stepper options
< 800	< 2000	< 2000	Stroke (mm)
Optional	N	N	Requires anti-rotation guide
Optional	Optional	Optional	Built in Limit Switches
Y	Y	Y	Adjust Limit Switches
N	Optional	N	Compression Switch
< Size 50 Aluminium > Size 50 Cast Iron	Cl/Steel	Cl/Steel	Base material
	Steel	Steel	Outer Tube material
S/S	Chrome plated steel	Chrome plated steel	Outer Rod Material
Y	Y	Y	Double clevis mount
DC: IP54 AC: IP55	DC: N/A AC: IP55	up to IP66	IP rating
2 to 200	up to 150	up to 300	Speeds (mm/sec)
limited	indent	indent	Local availability
medium industrial	heavy duty industrial	heavy duty industrial	Duty

Other Motion Tech Products



Precision in the Extreme



Distributors for Australia & New Zealand

MOTION TECHNOLOGIES PTY LTD

24/22-30 Northumberland Road
Caringbah NSW 2229 Australia

Phone: (02) 9524 4782

Fax: (02) 9525 3878

sales@motiontech.com.au

www.motiontech.com.au

© 21/03/19