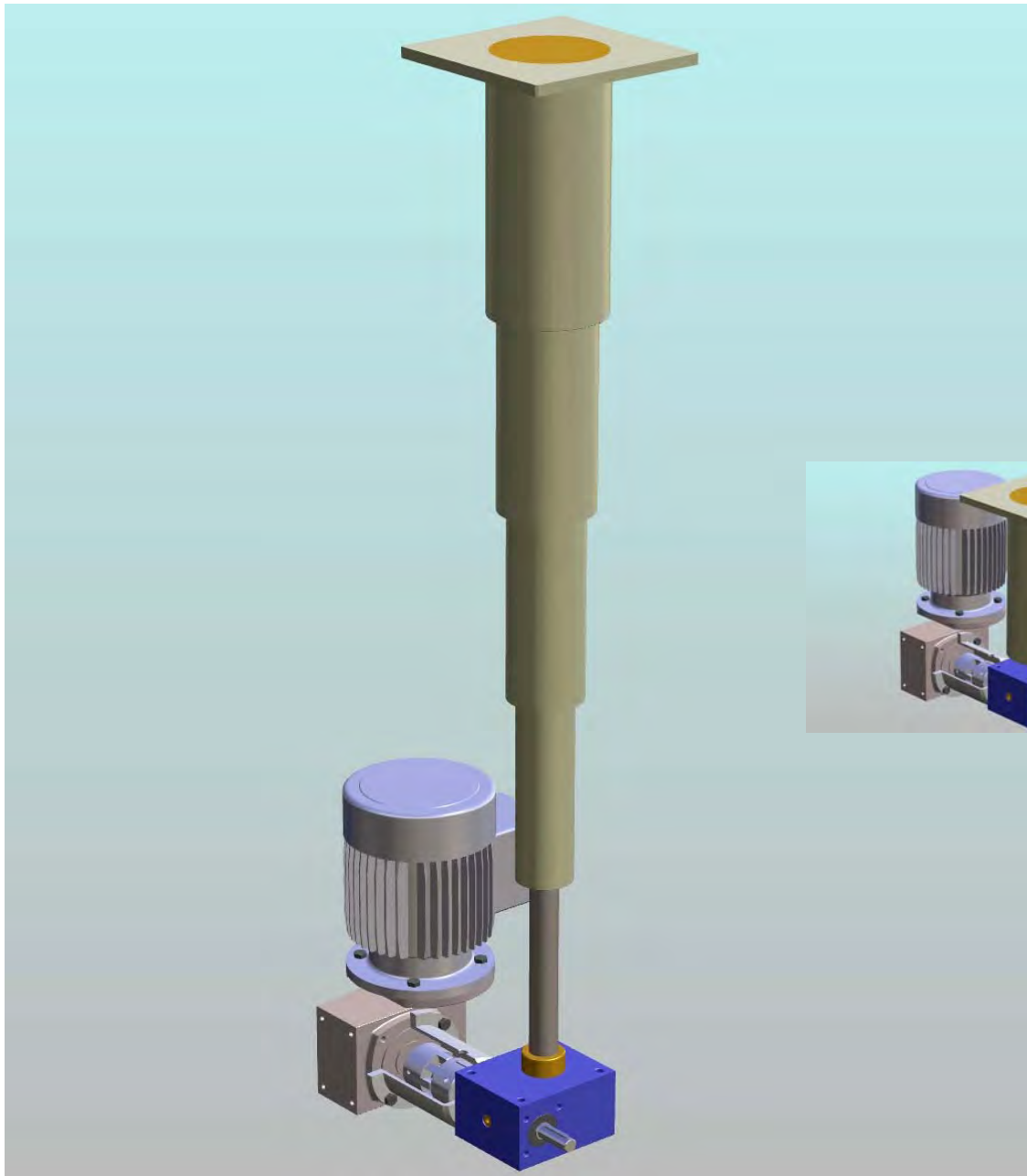


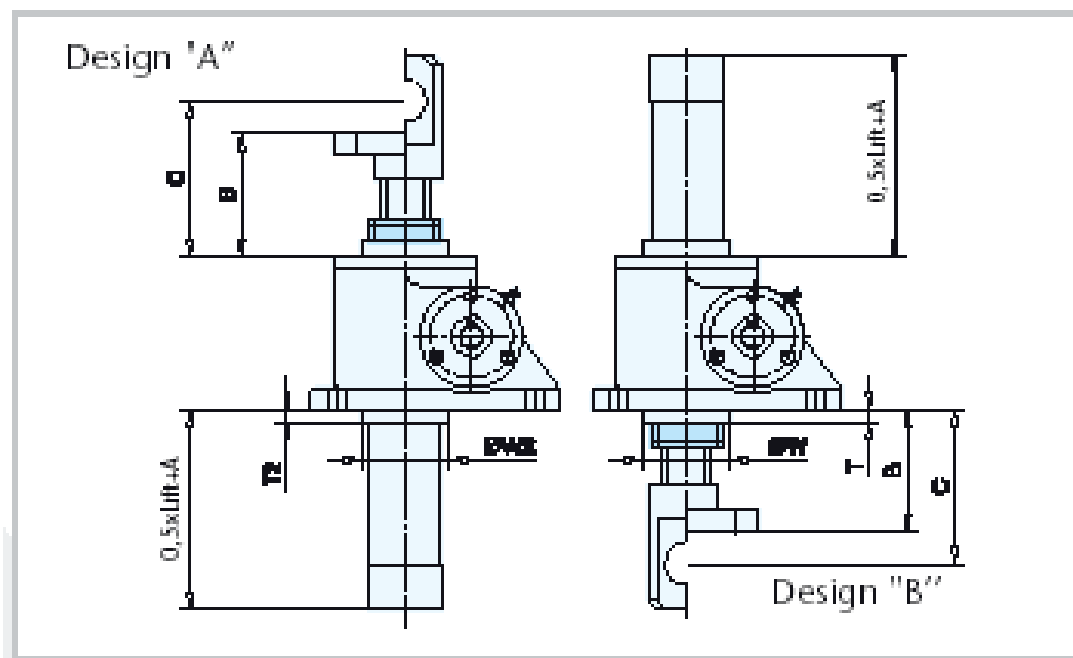


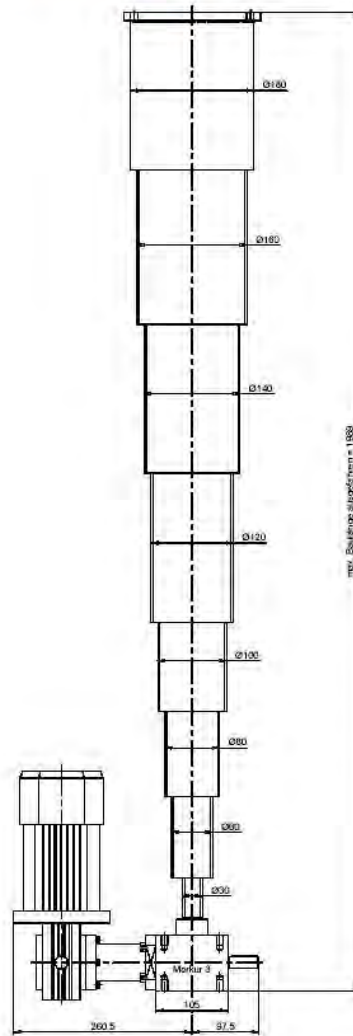
**MOTION TECHNOLOGIES
PTY LTD**

TELESCOPIC SCREW JACKS



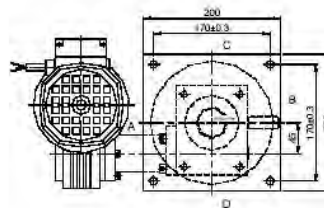
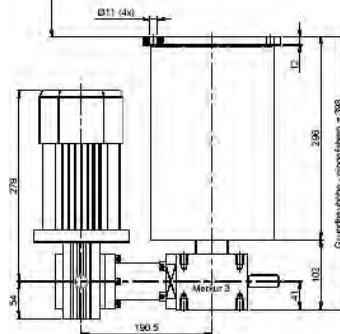
| Size | Spindle | A | B | C | ØW | T | ØW1 | T1 |
|---------|-------------------------|------------|-----|-------|-----|----|-----|------|
| 2,5/0,5 | | on request | | | | | | |
| 5/1 | Tr20x5LH Tr40x5RH | 15 | 63 | 85 | - | - | 110 | 10 |
| 10/2 | Tr26x6LH Tr58x6RH | 35 | 72 | 87 | 135 | 26 | 85 | 17,5 |
| 10/2,5 | Tr30x6LH Tr58x6RH | 35 | 72 | 87 | 135 | 26 | 85 | 17,5 |
| 20/5 | Tr40x7LH Tr72x7RH | 33 | 90 | 117,5 | 120 | 32 | 116 | 12 |
| 25/10 | Tr55x8LH Tr90x8RH | 33 | 90 | 120 | 130 | 41 | - | - |
| 50/10 | Tr58x12LH Tr110x12RH | 35 | 160 | 130 | 200 | 15 | 200 | 15 |





7 STAGE TELESCOPIC HOUSING

- Screw Jack Housing: Type 2**
Max. Thrust: 10kN
Gear Ratio Normal: 6:1
Gear Ratio Low: 24:1
Duty Cycle: Max. 20% (Std)
Max. Speed: 3m/min
Lift per turn of input worm shaft:
 6:1 = 5.3mm
 24:1 = 1.3mm



MOTION TECHNOLOGIES PTY LTD



24/22-30 Northumberland Road
 Caringbah NSW 2229 Australia
 Phone: (02) 9524 4782
 Fax: (02) 9525 3878

Unit 13/54 Smith Road
 Springvale VIC 3171 Australia
 Phone: (03) 8555 3586
 Fax: (03) 8555 3553

sales@motiontech.com.au
www.motiontech.com.au