



ARUN MICROELECTRONICS LTD

PV Pirani Gaugeheads

Pirani Gaugeheads for use with AML Ion Gauge Controllers

Pirani gauges detect the cooling effect of residual gas molecules on a heated filament. The rate of heat-transfer to the gas is related to pressure and causes a change in the electrical resistance of the filament or the amount of power required to maintain it at constant temperature. The filament is normally connected in a bridge circuit.



FEATURES

- Range: 200 mbar to 1×10^{-3} mbar
- Intended for use in constant-voltage bridge circuits, which reduces the filament temperature and the rate of filament corrosion or contamination at high pressures
- May be interchanged between any AML NGC / PGC series or equivalent controllers without recalibration
- Integral 3-metre lead and connector
- Extension cables do not affect the calibration
- Mounts in any orientation
- 200°C bakeable version available
- RoHS compliant

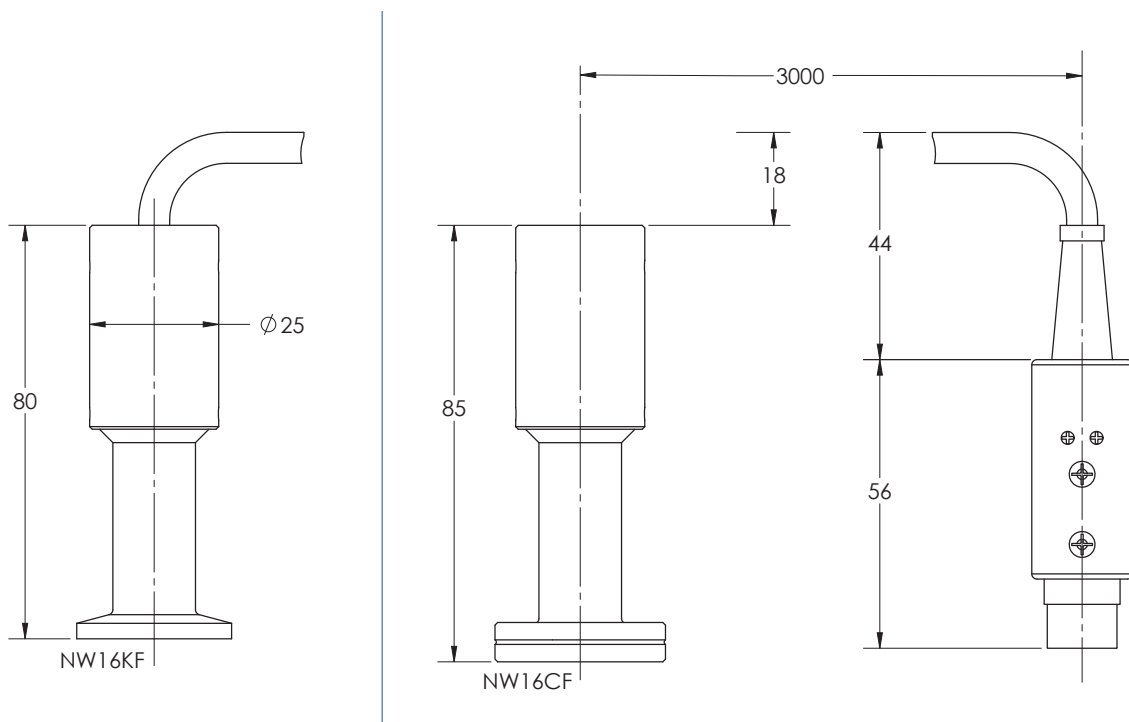


www.motiontech.com.au

SPECIFICATIONS

	PVU3	PVB3
Measuring principle	Thermal conductance according to Pirani	
Measurement range	200mbar to 1×10^{-3} mbar	
Maximum operating temperature	+45°C	
Maximum bake temperature	100°C	200°C
Filament material	Tungsten	
Mounting orientation	Any (factory calibrated vertical)	
Degree of protection	IP40	
Vacuum Flange	KF16	CF16
Weight	120g	130g
Cable length	3 metres	
Materials exposed to vacuum	Stainless steel, glass, tungsten	

DIMENSIONS



ORDERING INFORMATION

Order Code	
PVU3	Pirani Gauge, Non-bakeable, NW16KF
PVB3	Pirani Gauge, Bakeable, NW16CF
PVX10	Pirani extension lead, non bakeable, 10 metres



Distributors for Australia & New Zealand
MOTION TECHNOLOGIES PTY LIMITED

24/22-30 Northumberland Road
Caringbah NSW 2229 Australia
Phone: (02) 9524 4782

sales@motiontech.com.au
www.motiontech.com.au

© 08/02/22

AML pursues a policy of continuous improvement and reserves the right to make detail changes to specifications without consultation. E and OE.

