



HPS-L



HPS-M



HPS-S

LINEAR WIRE POTENTIOMETERS

Series HPS



- Linear wire potentiometers with return spring
- Measures: from 25 cm to 8 m
- Easy mounting

HPS-S	HPS-M	HPS-L
Strokes: 250, 500, 1000 mm Dimensions: 60x66x81 mm	Strokes: 500, 750, 1000, 1250, 1500, 2000, 3000, 4000 mm Dimensions: 90x80x120 mm	Strokes: 3000, 4000, 5000, 6000, 7000, 8000 mm Dimensions: 162x164x144 mm

MECHANICAL & ENVIRONMENTAL SPECIFICATIONS				
Series	HPS-S	HPS-M	HPS-L	
Dimensions	See the drawings			
Weight	< 600 g	< 1000 g	< 3500 g	
Materials	Aluminium housing Stainless steel wire SUS 304 with nylon coating			
Wire Ø	0.6 mm	0.7 mm	1.0 mm	
Carico di rottura	16 Kg	23 Kg	60 Kg	
Max. travel speed	0.5 m/sec	1 m/sec	0.6 m/sec	
Starting torque on spring	< 600 g	600 g strokes <1500 mm 1000 g strokes ≥ 1500 mm	2200 g	
Vibration resistance (10÷1500 Hz)	10 g	10 g	10 g	
Shock resistance (11 ms)	20 g			
Operating temperature	-20 ÷ 70°C – With analogue output: 0 ÷ 70°C			
Stocking temperature	-20 ÷ 80°C			
Protection degree	IP50	IP64	IP64	

ELECTRICAL & OPERATING SPECIFICATIONS				
Series	HPS-S	HPS-M	HPS-L	
Strokes mm	250/1000	500/4000	3000/8000	
Sensor	Wire-wound and hybrid potentiometer			
Output signals	Resistance 5 KOhm ±10%	Resistance 5 KOhm ±10% Optional: analogue 0÷10V supply 15/30Vdc or 4÷20 mA -supply 15/24Vdc ±20%		
Resolution	Infinita			
Linearity	• ±0.25% FS - With analogue output: ±0.30% FS			
Ripetibility	• ±0.02% FS - With analogue output: ±0.05% FS			
Power rating	1 W strokes ≤ 750 mm – 2 W strokes ≥ 1000 mm			
Connections	Cable 50 cm long	Cable 1 m long		

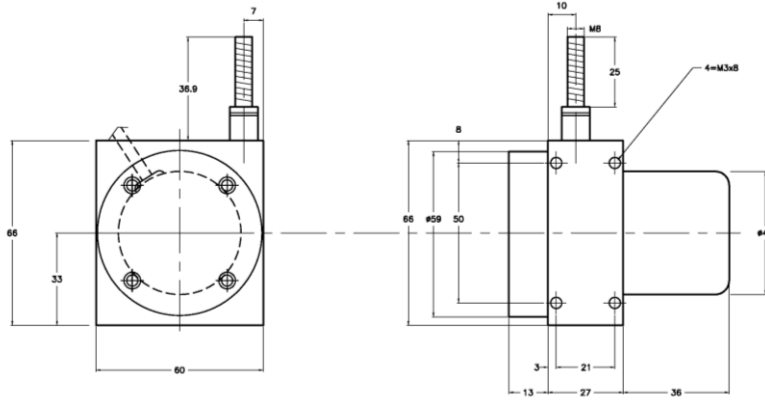
ORDERING INFORMATION

HPS-M	10
TYPE	STROKE
HPS-S	05 500 mm
HPS-M	075 750 mm
HPS-L	10 1000 mm
	125 1250 mm
	15 1500 mm
	20 2000 mm
	30 3000 mm
	40 4000 mm
	50 5000 mm
	60 6000 mm
	80 8000 mm

-
OUTPUT SIGNALS
- Resistance 5K
10V: 0~10Vdc (optional, HPS-M and HPS-L only)
420: 4~20mA (optional, HPS-M and HPS-L only)

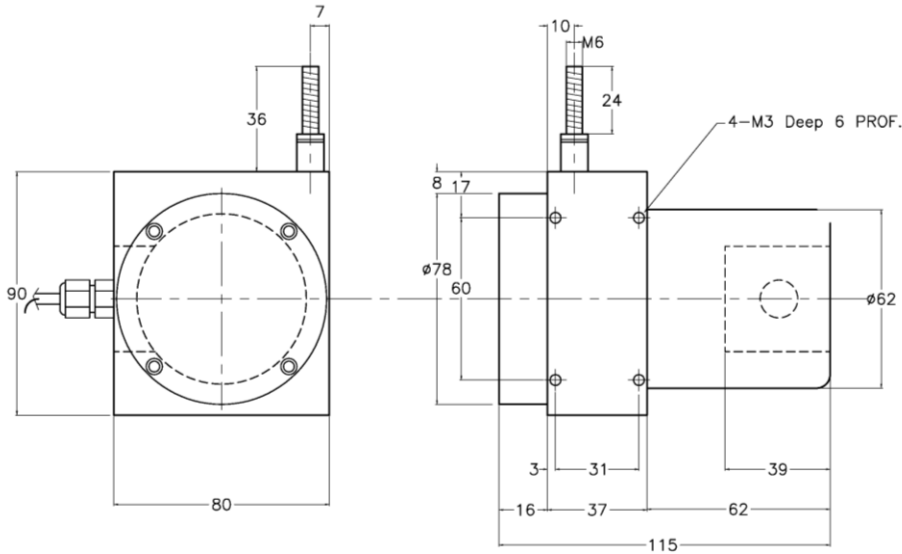
HPS-S

Ref. M1302



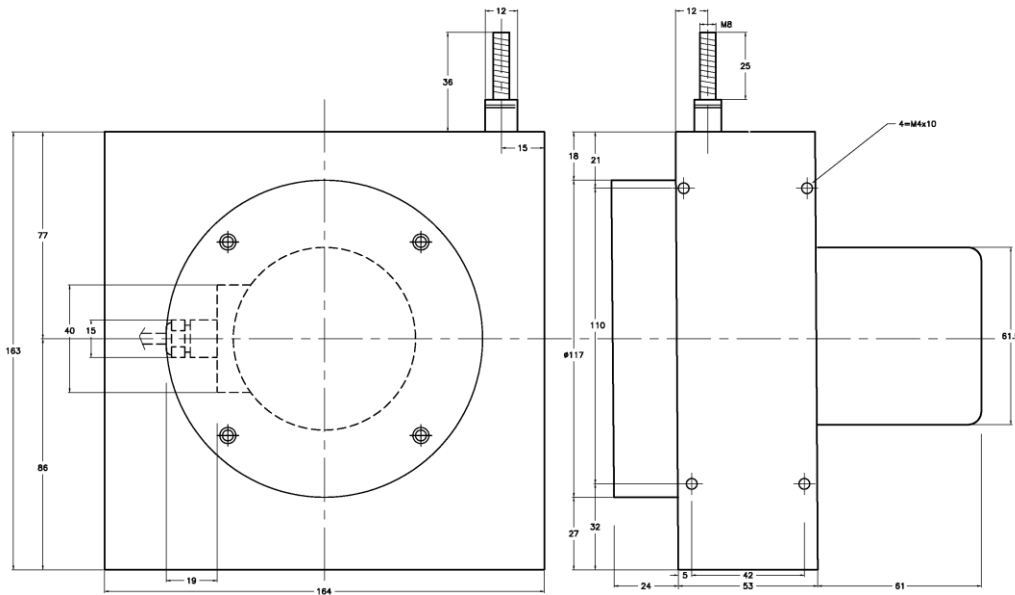
HPS-M

Ref. M2121



HPS-L

Ref. M1301



Distributors for Australia & New Zealand
MOTION TECHNOLOGIES PTY LIMITED



24/22-30 Northumberland Road
Caringbah NSW 2229 Australia
Phone: (02) 9524 4782

sales@motiontech.com.au
www.motiontech.com.au