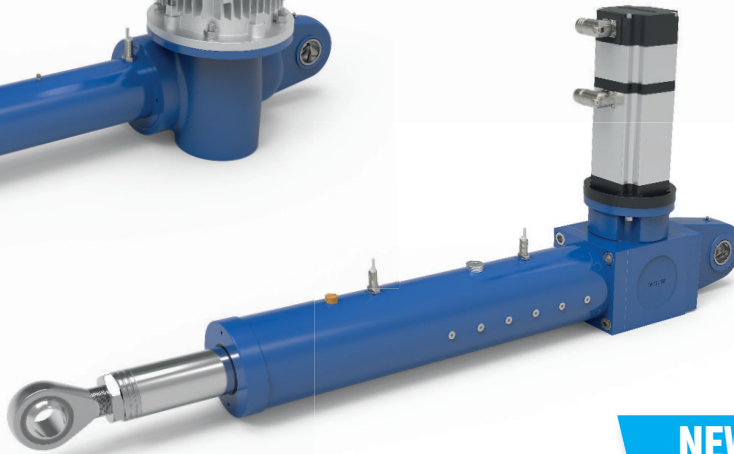
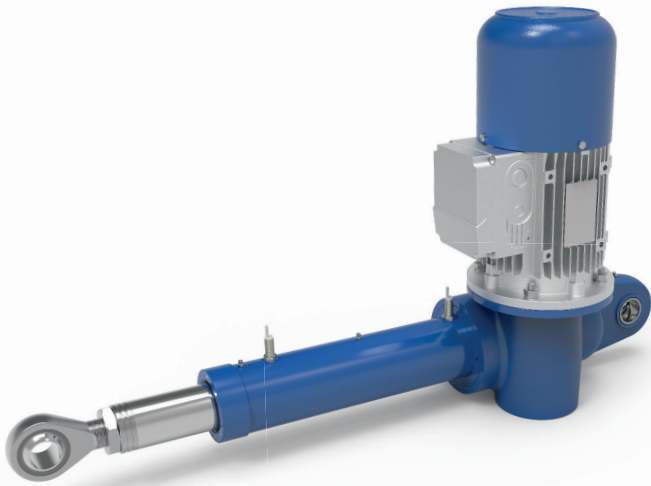


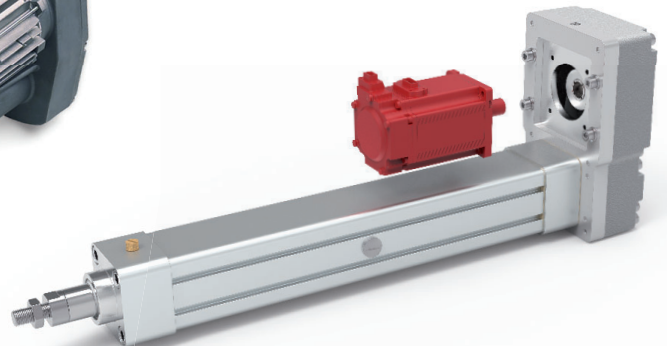
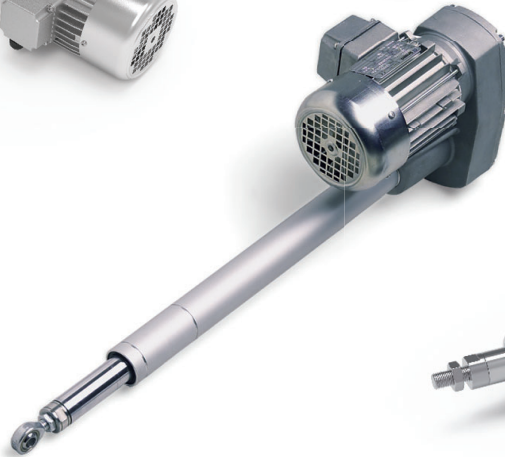
**Servomech**<sup>®</sup>  
*new ideas in linear motion*

# Electromechanical linear actuators

**MORE  
PRODUCTIVITY,  
LESS ENERGY  
CONSUMPTION**



**NEW**



High quality production **100% Made in Servomech**  
Acme screw, ball screw or planetary roller screw linear drive  
Wide range of sizes and options available

**35**  
LINEAR MOTION  
SINCE 1989

[www.motiontech.com.au](http://www.motiontech.com.au)

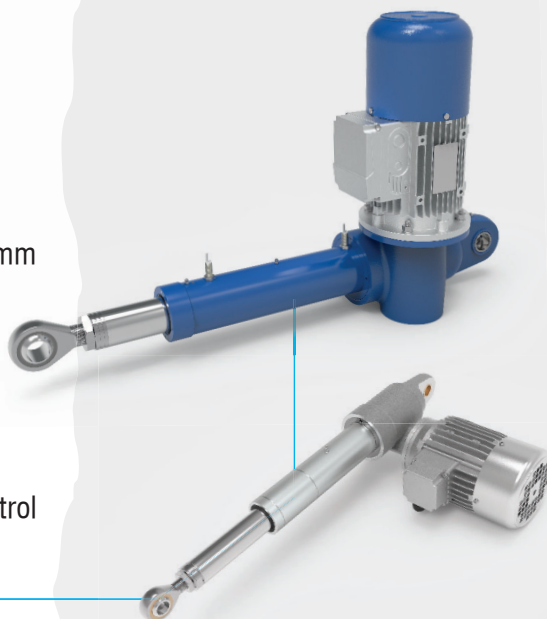
**ATL SERIES**  
**BSA SERIES**

Rear hinged mounting, right angle motor  
High precision worm gearbox

ATL Series, acme screw from  $\varnothing$  13,5 mm to  $\varnothing$  100 mm  
BSA Series, ball screw from  $\varnothing$  14 mm to  $\varnothing$  100 mm  
10 sizes, load capacity from 4 kN to 350 kN  
Standard stroke length up to 800 mm

Lubrication with synthetic grease, gearbox  
long life lubricated, screw drive regreasable

Electric limit switches  
Incremental or absolute encoder for positioning control  
AC or DC motors  
Prepared for brushless servomotors mounting



**CLA SERIES**  
**CLB SERIES**

Rear hinged mounting, right angle motor  
High precision worm gearbox

CLA Series, acme screw from  $\varnothing$  13,5 mm to  $\varnothing$  30 mm  
CLB Series, ball screw from  $\varnothing$  14 mm to  $\varnothing$  32 mm  
5 sizes, load capacity from 2 kN to 25 kN  
Standard stroke length up to 800 mm

Lubrication with synthetic grease, gearbox  
long life lubricated, screw drive regreasable

Cam-operated limit switches and rotary potentiometer  
for positioning control  
AC or DC motors



**UAL SERIES**  
**UBA SERIES**

Rear hinged mounting, parallel motor  
Timing belt drive

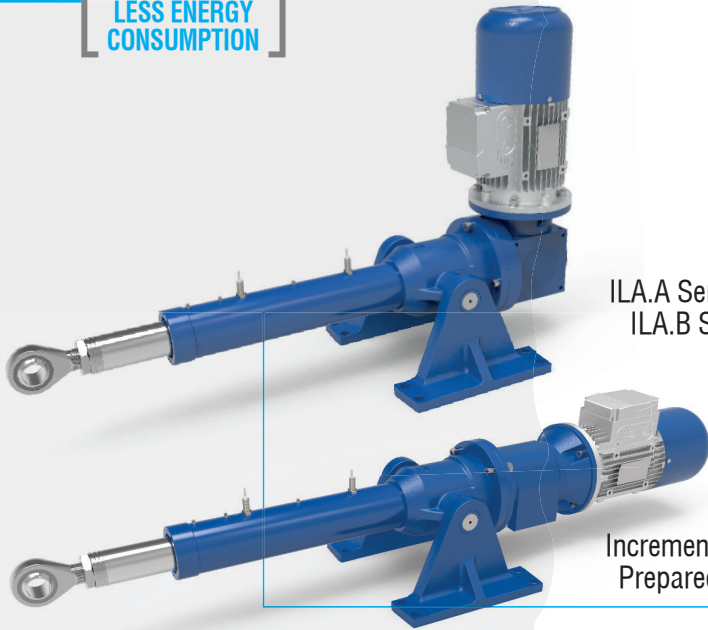
UAL Series, acme screw from  $\varnothing$  13,5 mm to  $\varnothing$  30 mm  
UBA Series, ball screw from  $\varnothing$  14 mm to  $\varnothing$  32 mm  
5 sizes, load capacity from 4 kN to 15 kN  
Standard stroke length up to 800 mm

Lubrication with synthetic grease, gearbox  
long life lubricated, screw drive regreasable

Electric limit switches  
Incremental or absolute encoder for positioning control  
AC or DC motors



**MORE  
PRODUCTIVITY,  
LESS ENERGY  
CONSUMPTION**

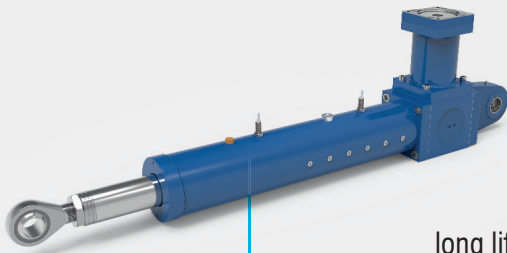


## ILA SERIES

Housing mounting with pins  
In-line or right angle gearbox mounting  
ILA.A Series, acme screw from  $\varnothing$  22 mm to  $\varnothing$  80 mm  
ILA.B Series, ball screw from  $\varnothing$  25 mm to  $\varnothing$  80 mm  
6 sizes, load capacity from 15 kN to 200 kN  
Standard stroke length up to 1500 mm

Screw drive lubrication  
with synthetic grease, regreasable

Electric limit switches  
Incremental or absolute encoder for positioning control  
Prepared for AC or brushless servomotors mounting



## HSA SERIES

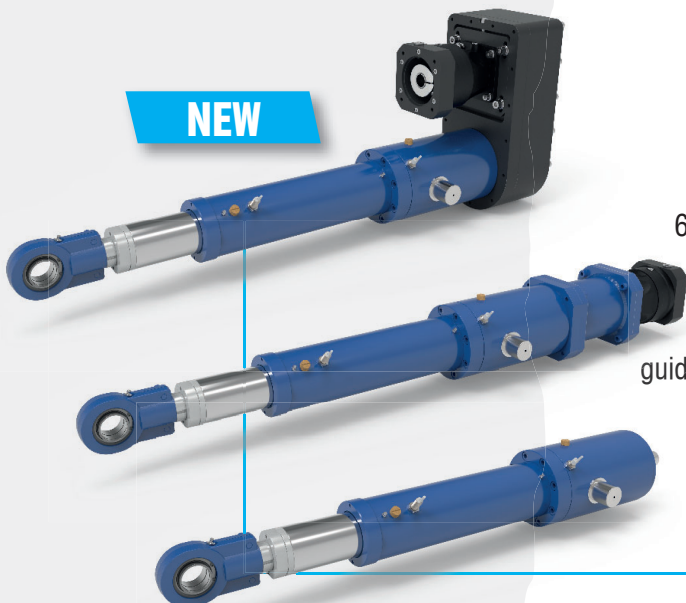
Rear hinged mounting, right angle motor  
GLEASON bevel gearbox  
Linear speed up to 1,5 m/s

Ball screw drive from  $\varnothing$  25 mm to  $\varnothing$  80 mm  
6 sizes, load capacity from 10 kN to 150 kN  
Standard stroke length up to 1000 mm

Lubrication with synthetic grease, gearbox  
long life lubricated, nut relubrication system with "homing" position

Electric limit switches  
Incremental or absolute encoder for positioning control  
Prepared for AC or brushless servomotors mounting

**NEW**



## HPA SERIES

Housing mounting with pins  
In-line or parallel motor mounting  
Planetary gearbox

Planetary roller screw drive  
from  $\varnothing$  30 mm to  $\varnothing$  99 mm  
6 sizes, load capacity from 100 kN to 1000 kN  
Standard stroke length up to 1000 mm

Lubrication with synthetic grease,  
gearbox long life lubricated, nut and rod  
guide relubrication system with "homing" position

Electric limit switches  
Incremental or absolute encoder  
for positioning control  
Prepared for AC or brushless  
servomotors mounting



# Linear servoactuators

MORE  
PRODUCTIVITY,  
LESS ENERGY  
CONSUMPTION

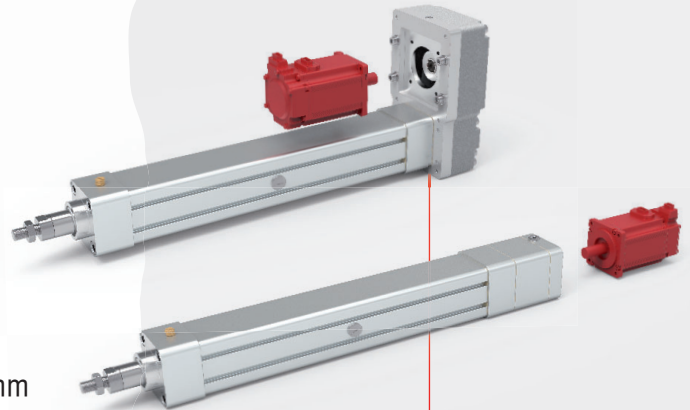
## SAM SERIES

High precision ball screw drive  
Low inertia and zero backlash  
Extreme positioning control  
Excellent for high dynamics and high speed conditions

Parallel or in-line motor  
Prepared for brushless servomotors mounting  
Linear speed up to 1,5 m/s

7 sizes, ball screw from Ø 12 mm to Ø 40 mm  
ISO 15552 profile from Ø 32 mm to Ø 125 mm  
ISO 15552 standard accessories

Nut relubrication system with "homing" position  
Electric limit switches



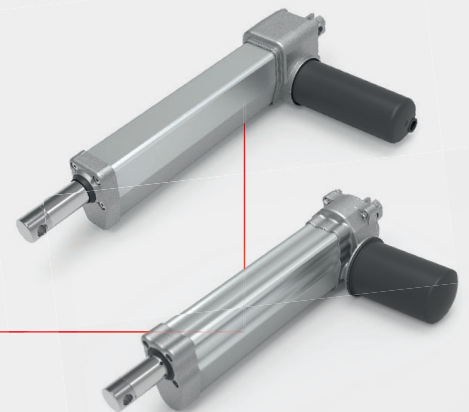
# Electromechanical linear actuators

## LMR SERIES

Linear actuator with right angle motor  
Rear hinged mounting

Acme screw linear drive  
Input drive with worm gearbox  
3 sizes, load capacity from 1300 N to 6000 N

Integrated electric limit switches  
Incremental encoder for positioning control  
DC motors



## ATL SERIES

Linear actuator with right angle motor  
Rear hinged mounting

Acme screw linear drive  
Input drive with worm gearbox  
5 sizes, load capacity from 1000 N to 10000 N

Electric limit switches  
AC or DC motors



Distributors for Australia & New Zealand

**MOTION TECHNOLOGIES PTY LIMITED**

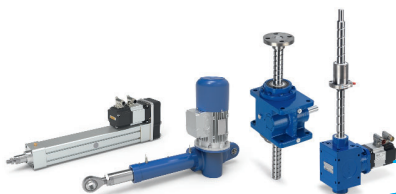
24/22-30 Northumberland Road  
Caringbah NSW 2229 Australia  
Phone: (02) 9524 4782

sales@motiontech.com.au  
www.motiontech.com.au

22/05/2025



High quality production  
100% Made in Servomech



**SERVOMECH SpA**  
Via Calari, 1 • 40011 Anzola dell'Emilia (BO) • Italy

www.servomech.com

